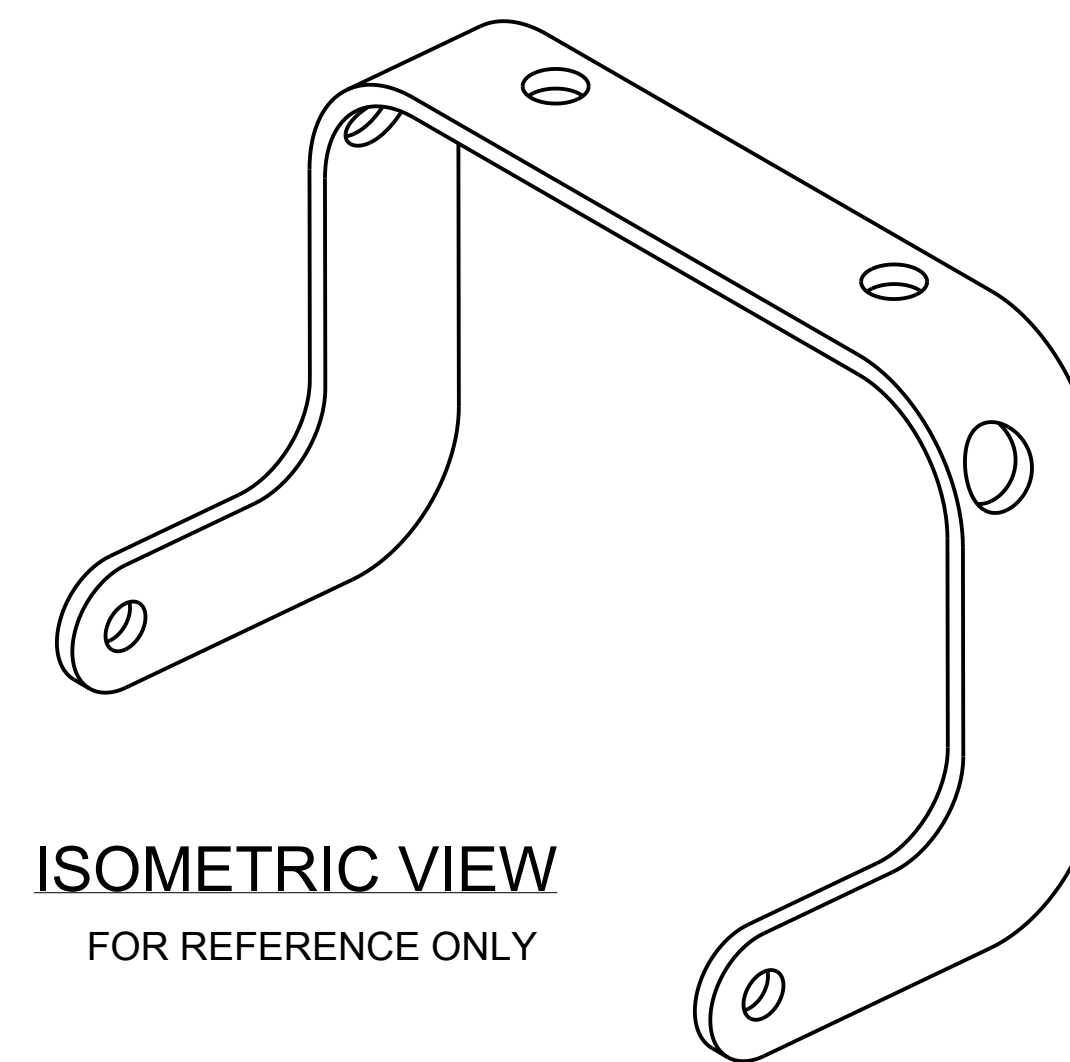
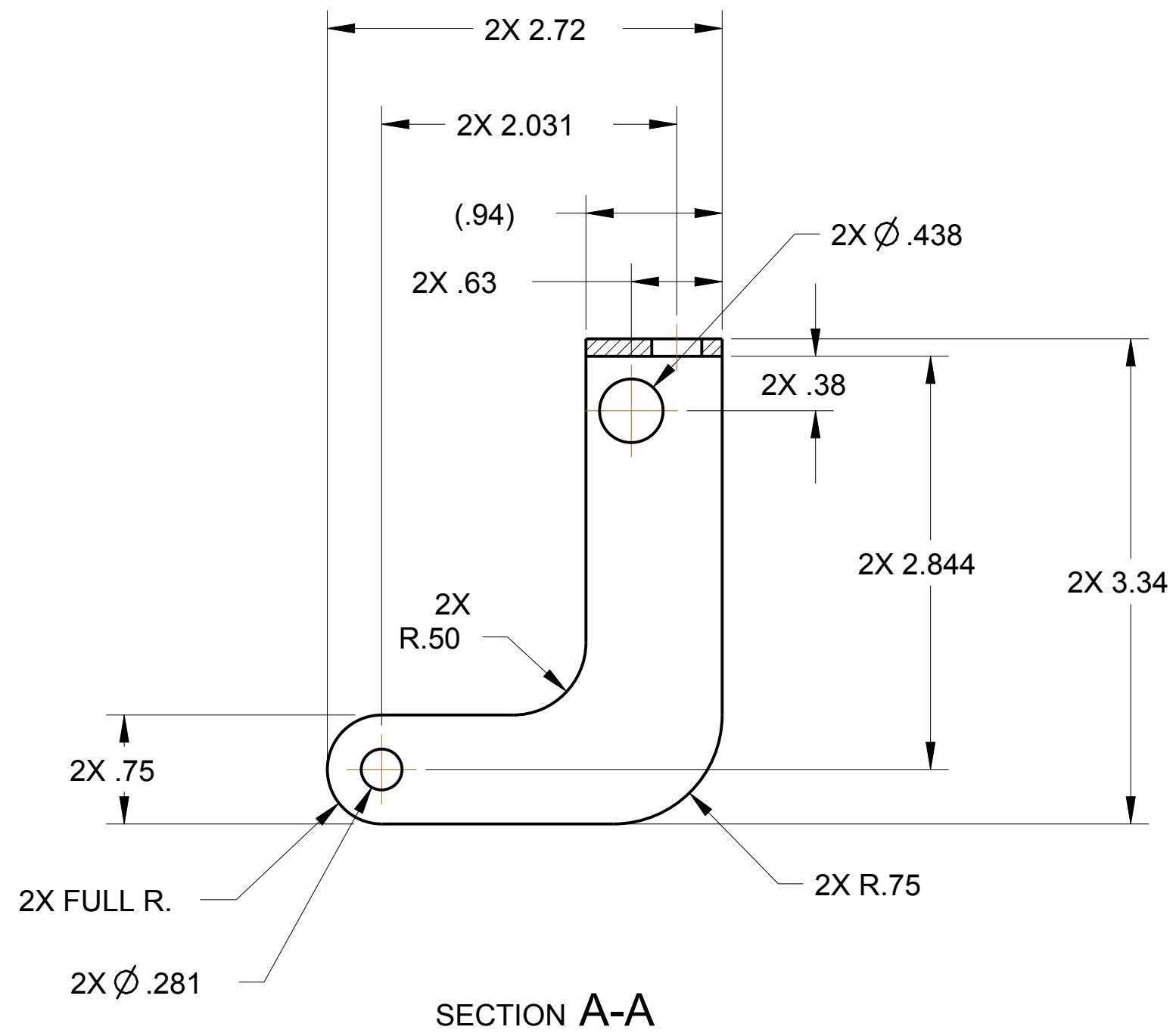
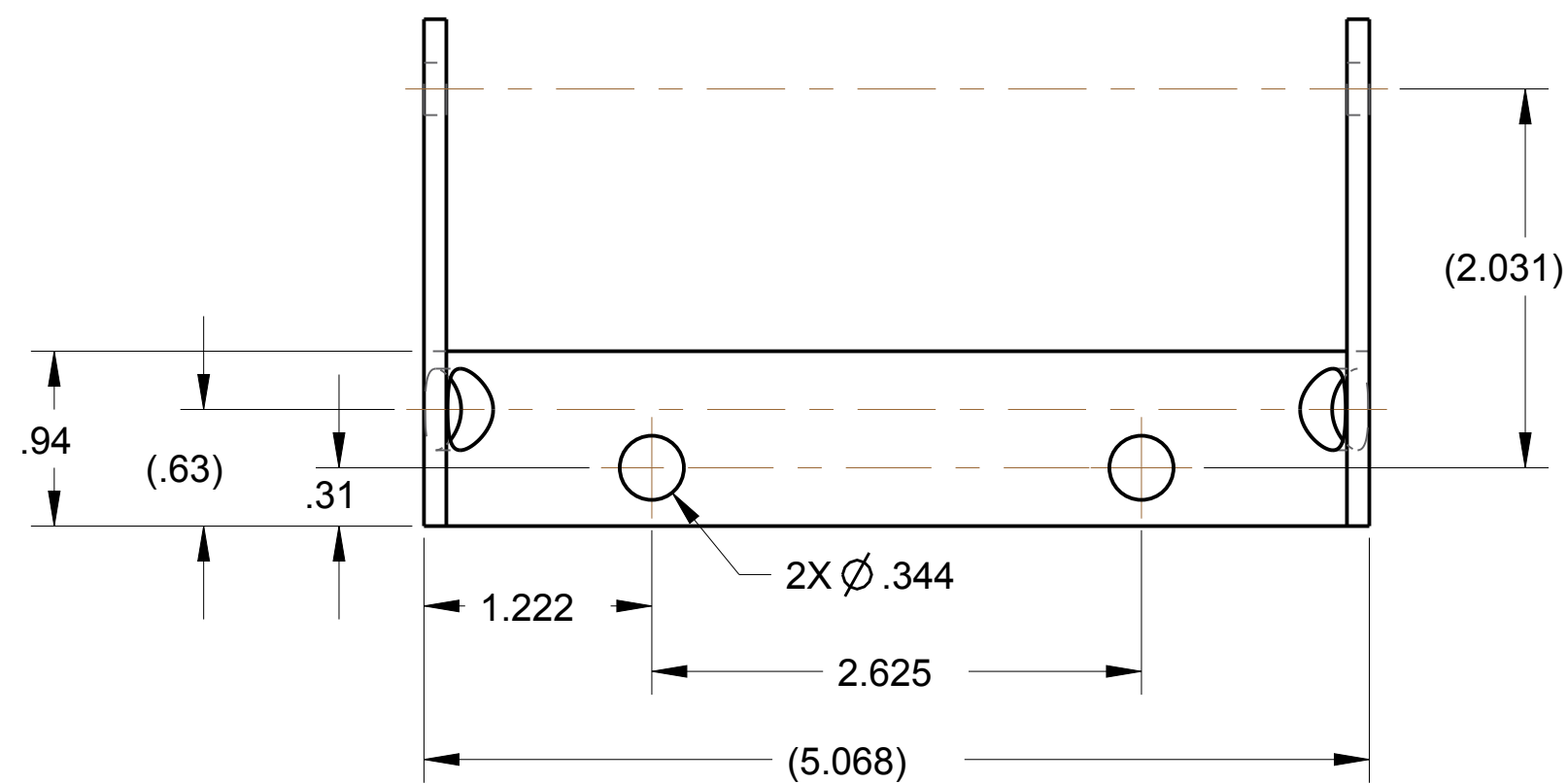
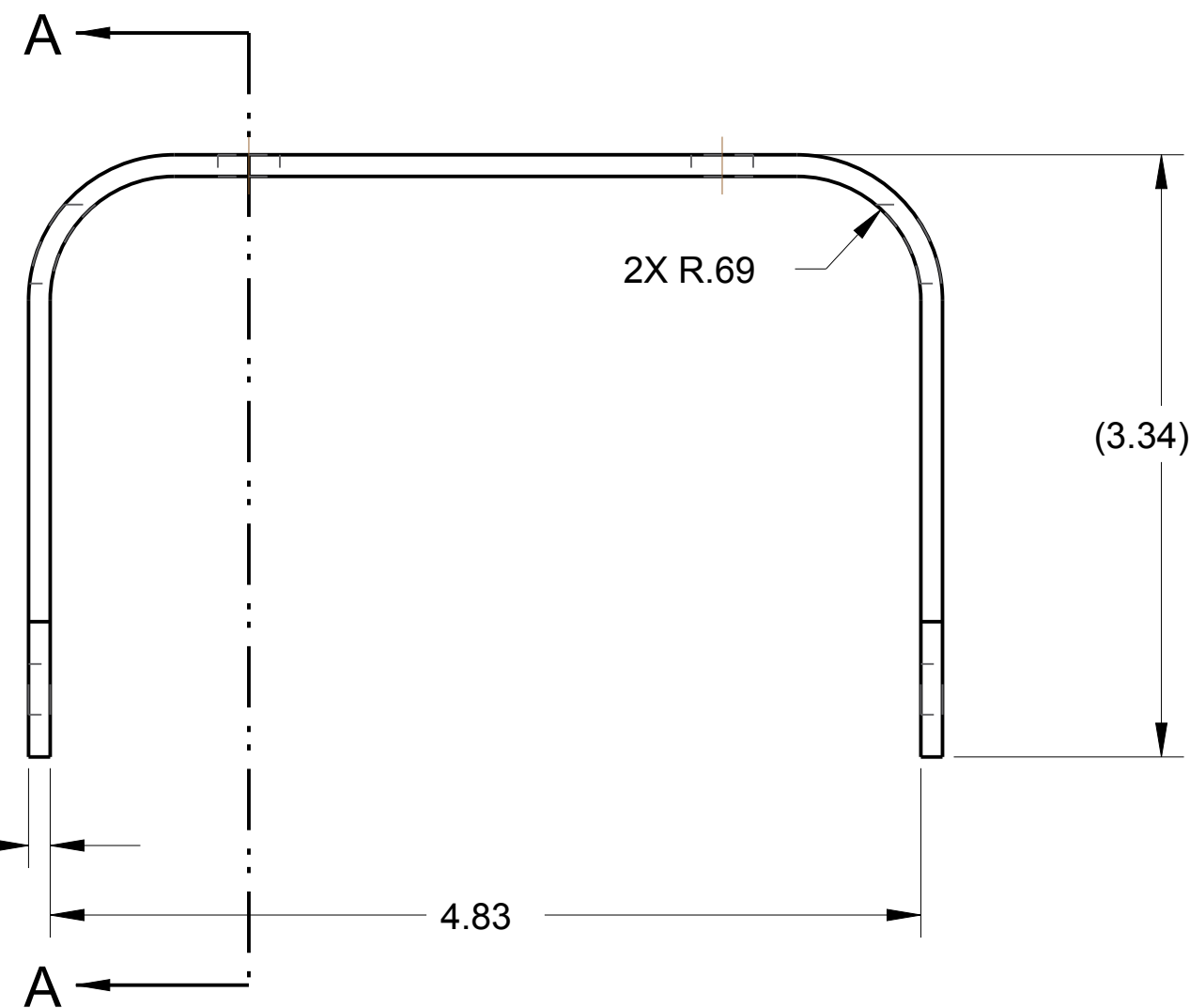
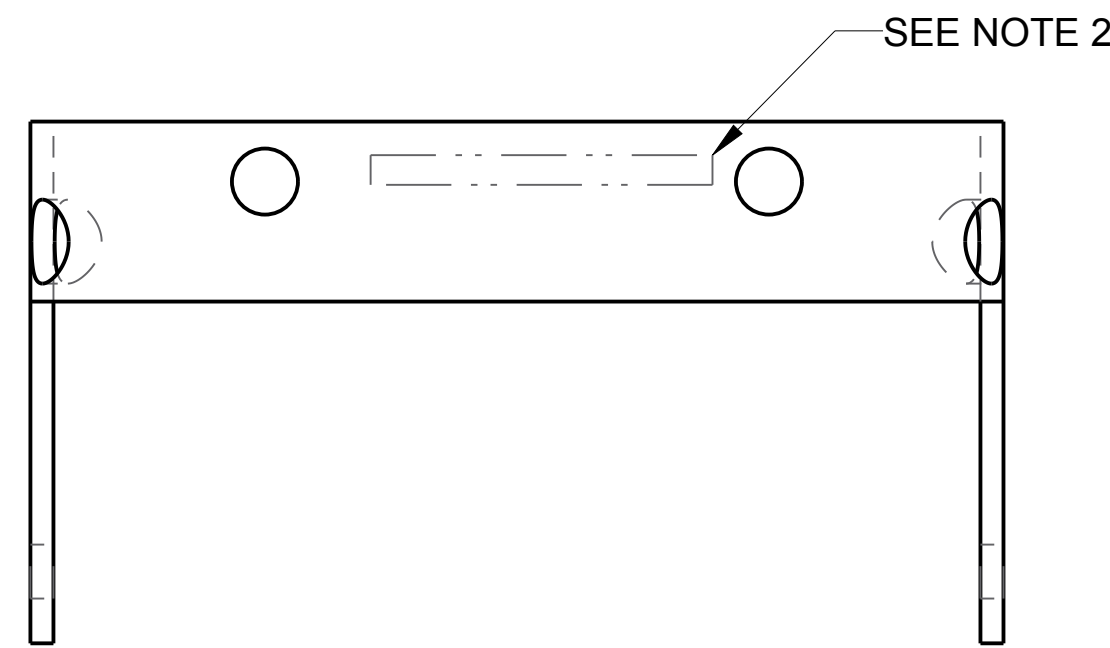


NOTES:

1. MATERIAL: STAINLESS STEEL SHEET TYPE 304, PER ASTM A240
2. VIBRO-ETCH PART WITH DRAWING NUMBER WITH MIN .12 HIGH CHARACTERS IN ACCORDANCE WITH MIL-STD-130, LOCATE APPROX AS SHOWN.

REVISION APPROVALS								
REV	ECN NO.	DESCRIPTION	DATE	BY	CHK	DES	ENG	SUPV
A	-	INITIAL RELEASE	-	-	-	-	-	-



		INTERPRET IN GENERAL ACCORDANCE WITH ASME Y14.5				COLLIDER-ACCELERATOR DEPARTMENT BROOKHAVEN NATIONAL LABORATORY UPTON, N.Y. 11973					
		UNLESS OTHERWISE SPECIFIED		DRAWN BY: S. TRABOCCHI 08/24/17		CBETA MAGNET ASSEMBLY BRACKET, MAGNET SUPPORT, TYPE 2					
		DIMENSIONS ARE IN INCHES		CHECKED BY: S. RESTMEYER 3/19/18		REV. A					
2550M0053		2		DESIGN APPROVAL: A. ARNO 3/20/18		SIZE: D					
2550M0052		2		ENGR / PRTY APPROVAL: G. MAHLER 3/20/18		DRAWING NUMBER: 2550M0074					
2550M0051		2		SUPERVISOR APPROVAL: J. TUOZZOLO 3/20/18		REV. A					
2550M0050		2		ANGULAR TOLERANCE ±1°		Q.A. CATEGORY: A3					
USED ON DRAWING NO.		QTY. PER ASSY.		125		BREAK SHARP EDGES		SCALE: 1/1		WEIGHT: 0.4	
APPLICATION				FINISH		MAX. .001 IN. 015		SAFETY / RSC DEPARTMENT CHAIR		SHEET OF 1 1	

DWG NO 2550M0074 SHIT 1 OF 1