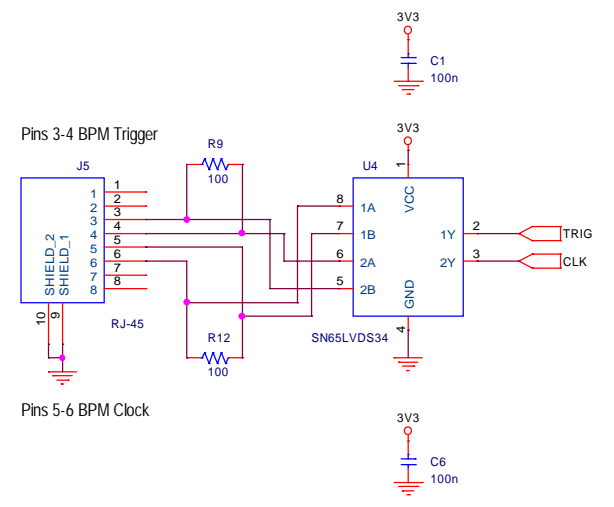
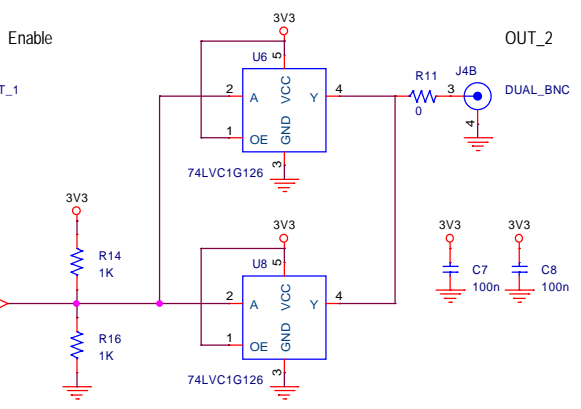
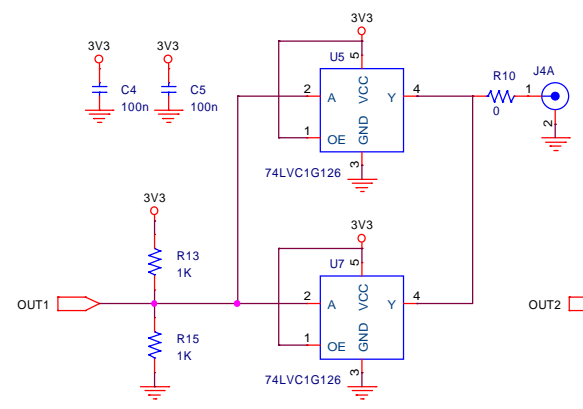
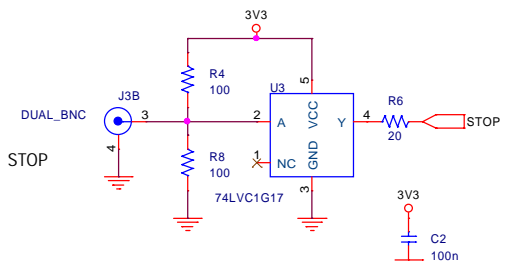
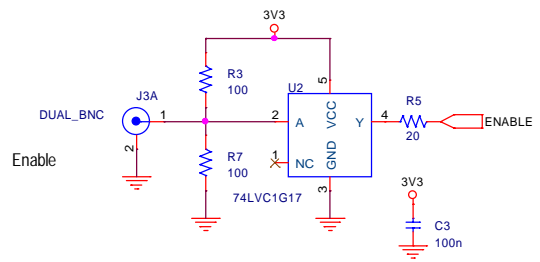
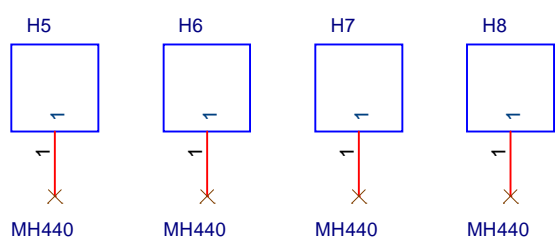
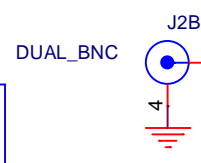
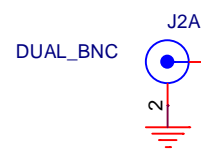
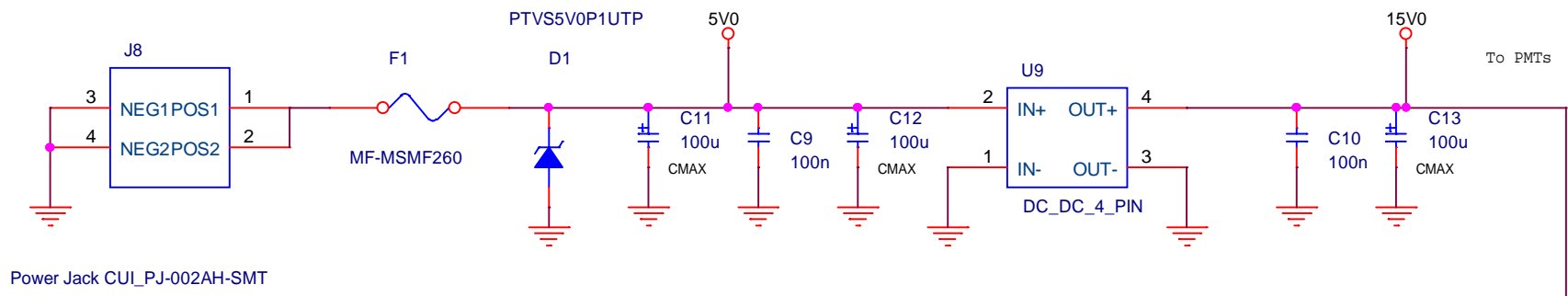


Title		
<Title>		
Size	Document Number	Rev
A	<Doc>	<Rev Co
Date:	Monday, May 13, 2019	Sheet 1 of 3



Title <Title>		
Size B	Document Number <Doc>	Rev <RevCode>
Date:	Wednesday, May 15, 2019	Sheet 2 of 3



Title		
<Title>		
Size	Document Number	Rev
A	<Doc>	<RevCo>
Date:	Monday, May 13, 2019	Sheet 3 of 3