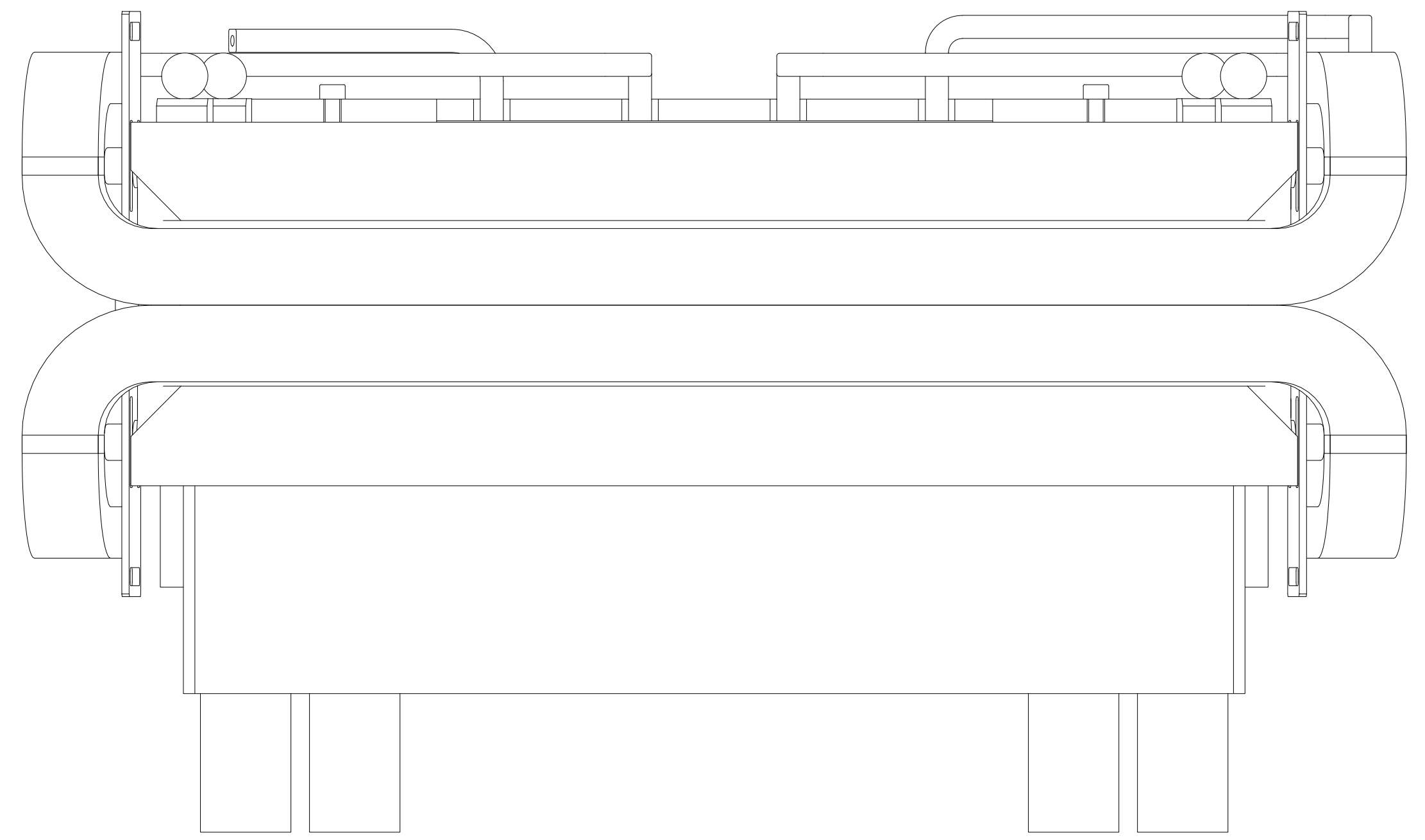
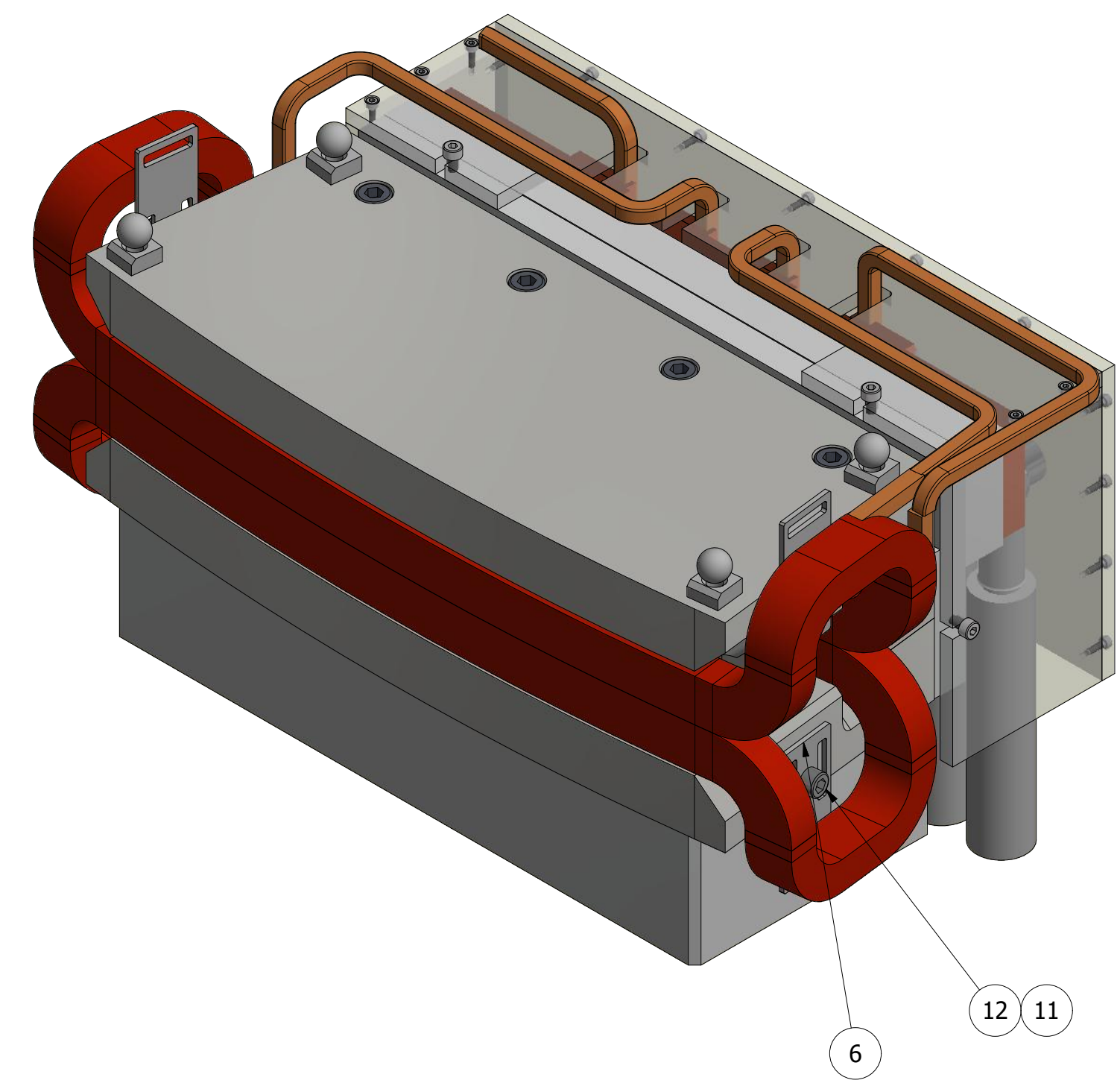
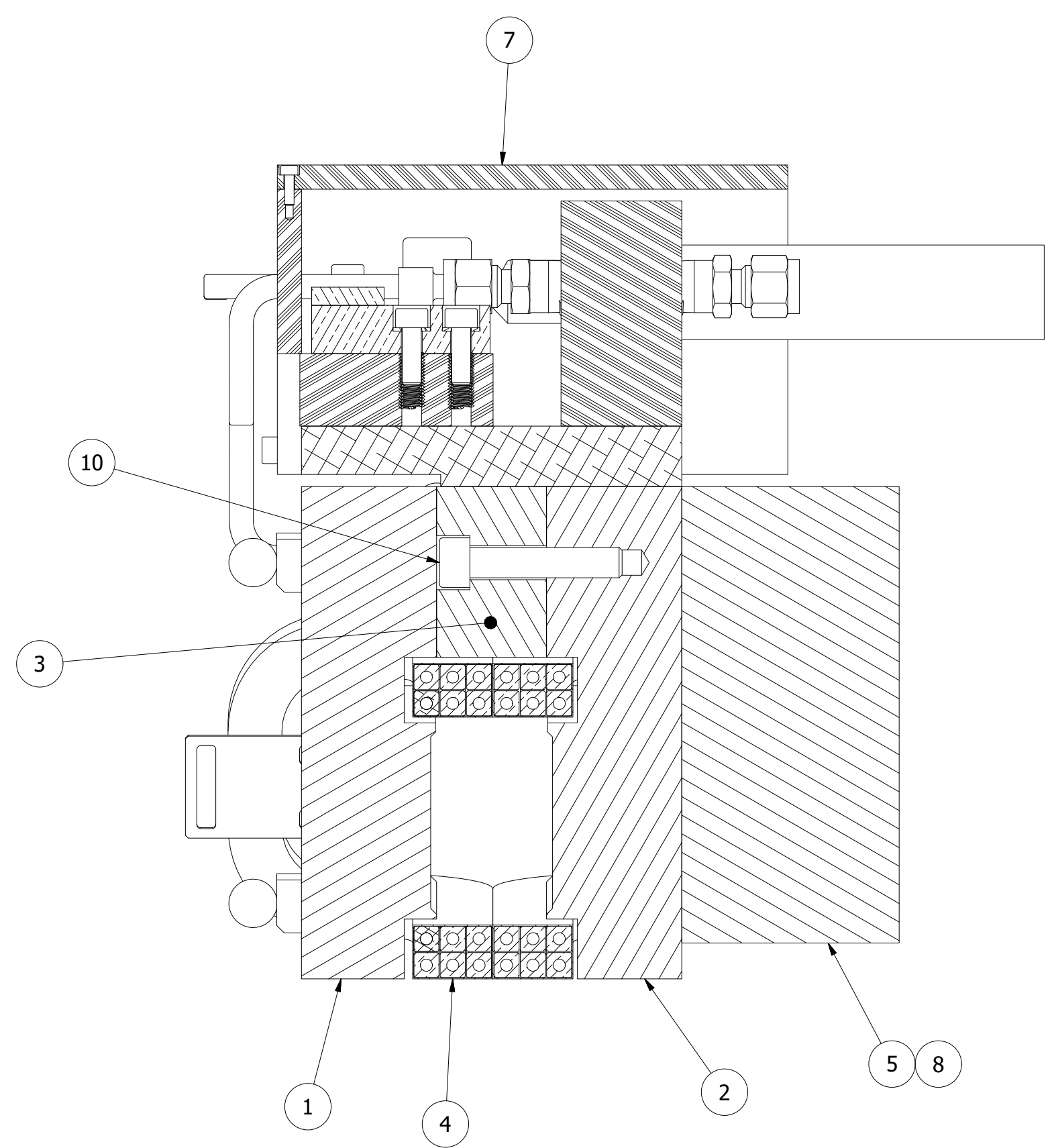
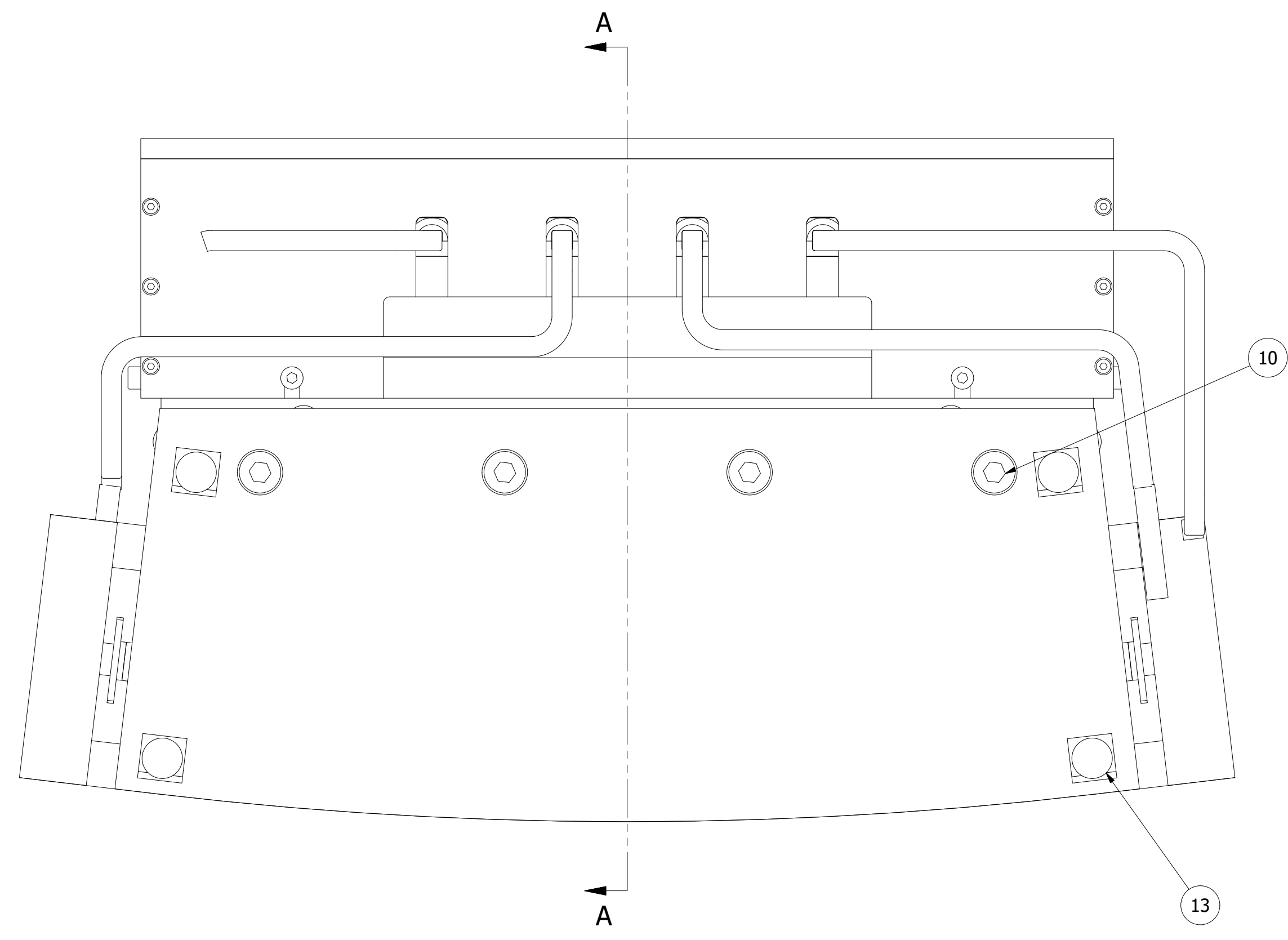


REVISIONS				
SYM	ZONE	DESCRIPTION	DATE	APP
		Initial Release	5/31/19	JLT



SECTION A-A  
SCALE 3/4

Septum 2

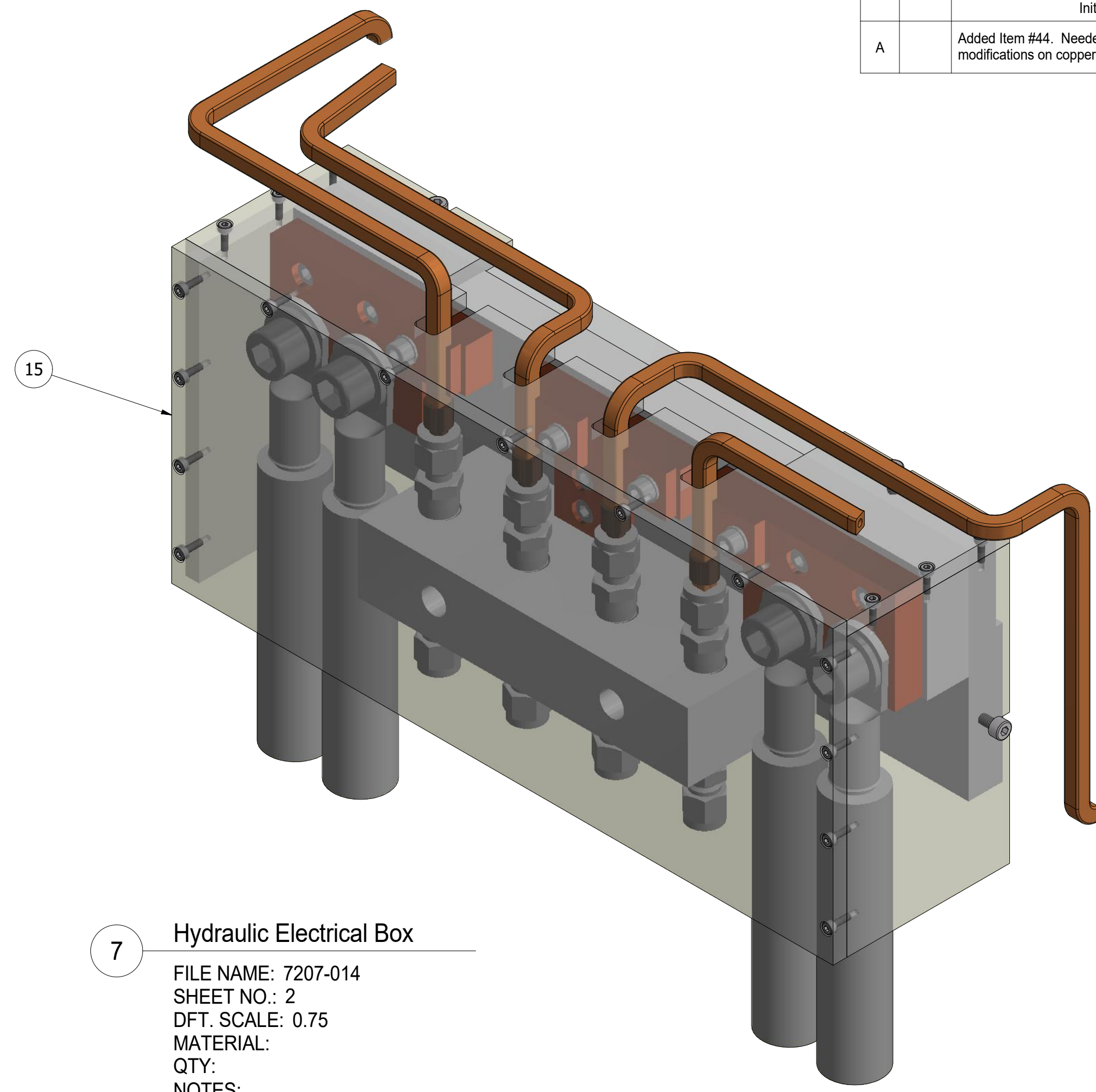
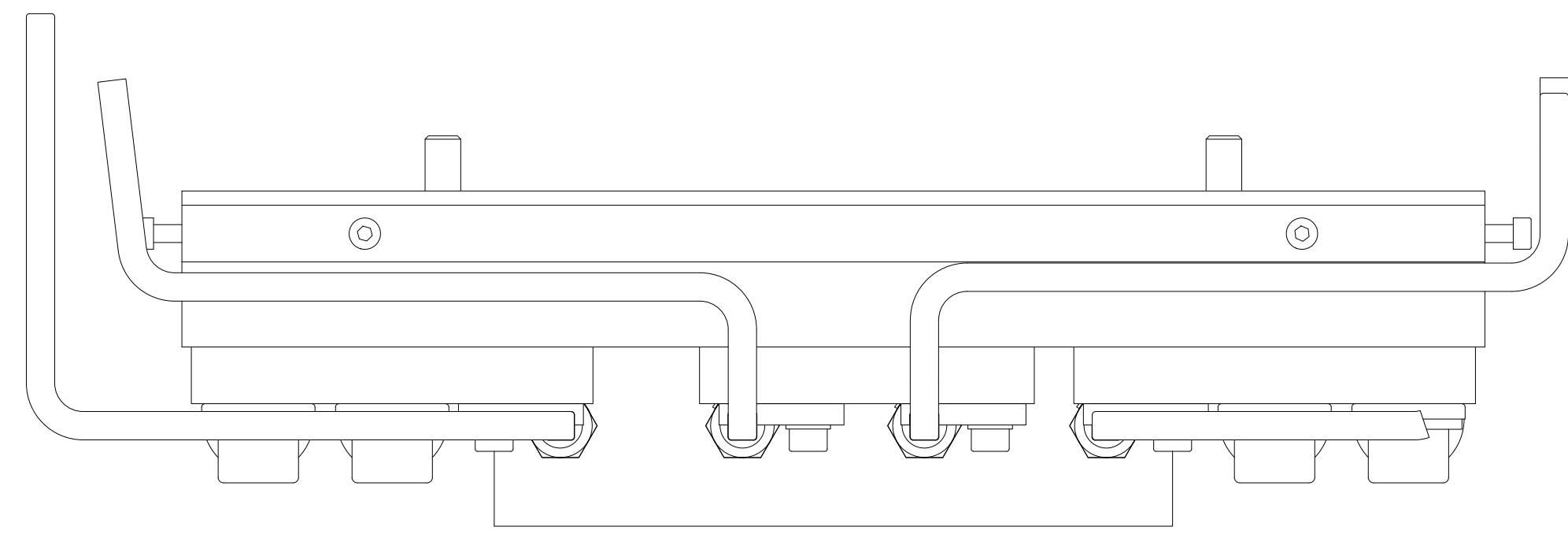
FILE NAME: 7207-014  
SHEET NO.: 1  
DFT. SCALE: 1:1  
MATERIAL: As Noted  
QTY: As Req'd  
NOTES:

Parts List				
ITEM	QTY	DESCRIPTION	QTY	DESCRIPTION
34	4	PURCHASED Dowel Pin 6mm Dia. x 12mm Long Alloy Steel		McMaster-Carr #91595A440
13	4	PURCHASED FIDUCIAL .5SMN		Hubbs Machine # .5SMN
12	4	PURCHASED SHCS M6x1.0 x 16mm 316SST		McMaster-Carr #92290A321
11	8	PURCHASED Flat Washer M6 316SST		McMaster-Carr #90965A170
10	7	PURCHASED SHCS M8x1.25-40mm BO Steel		McMaster-Carr #91290A210
9	4	PURCHASED Dowel Pin 8mmx20mm Alloy Steel		McMaster-Carr #91595A558
8	4	PURCHASED SHCS M8x1.25 x 40mm 316SST		McMaster-Carr #92290A442
7	1	SHEET 2 Hydraulic Electrical Box		CLASSE
6	4	SHEET 9 Band Mounting Plate		CLASSE
5	1	SHEET 9 Septum 2 Spacer Block		CLASSE
4	2	SHEET 8 Septum 2 - Coils		CLASSE
3	1	SHEET 7 Septum 2 - Middle		CLASSE
2	1	SHEET 6 Septum 2 - Bottom		CLASSE
1	1	SHEET 5 Septum 2 - Top		CLASSE

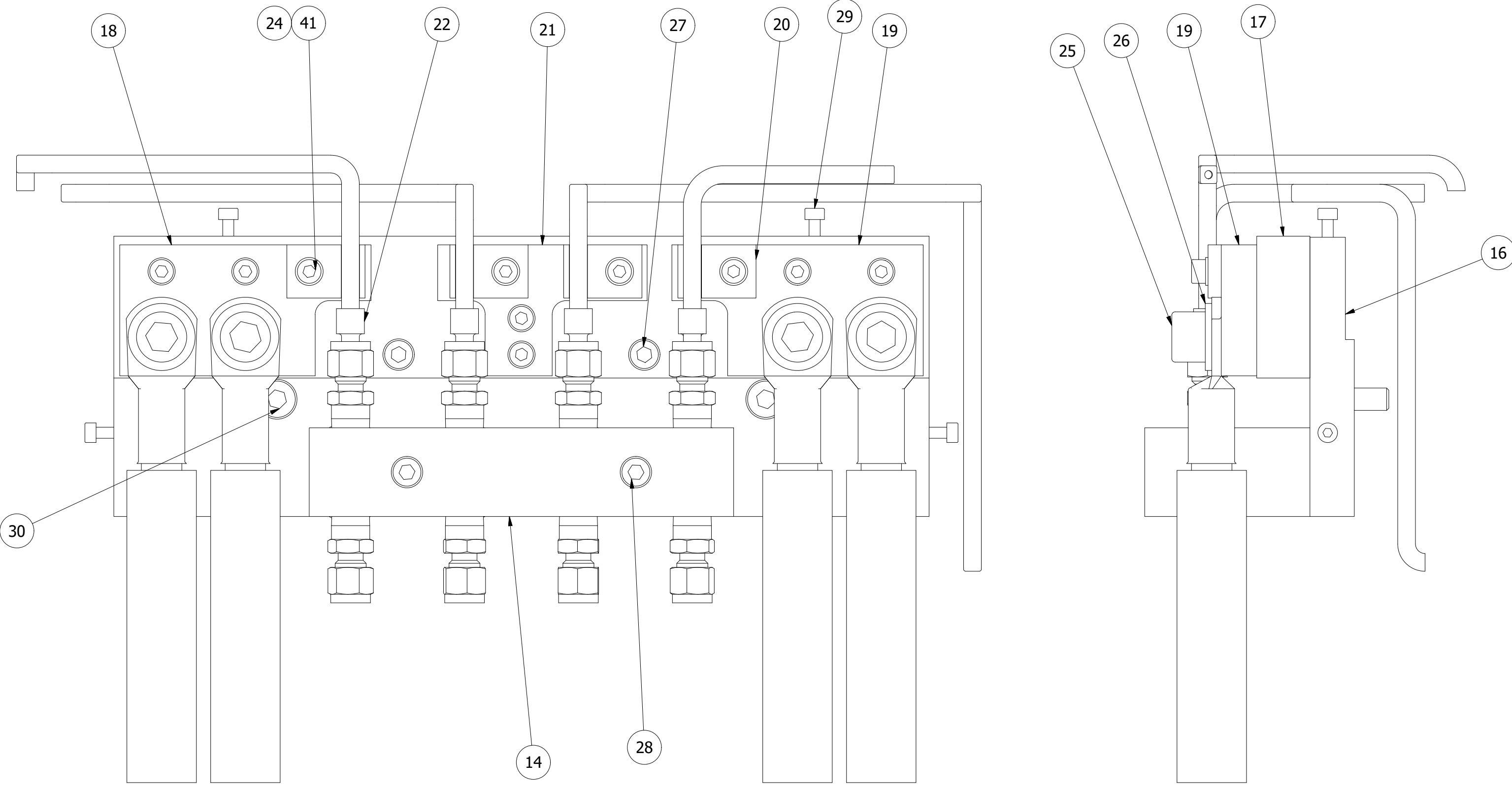
ITEM	DWG. NO.	DESCRIPTION	G1	G2	G3	REMARKS	REV.	
			QUANTITY					
<b>D</b>	PRINT DISTR.	PLOT DATE: 6/20/2019 CAD FILE NAME: 7207-014.idw						
	CR-1	UNLESS OTHERWISE SPECIFIED: DIMENSIONS ARE IN MILLIMETERS. TOLERANCES ON: X ± .5 XX ± .2 XXX ± .1 ANGLES ± 0.5° ALL SURFACES 1/8"	 Cornell Laboratory for Accelerator-based ScienceS and Education (CLASSE)				<b>Septum 2 Assembly</b>	
	REV.	CHECKED BY: D.Burke APPROVED BY: D.Burke					DRAWN BY: J.Turco	DRAWN FOR: D.Burke

THESE DRAWINGS, WHICH CONTAIN PROPRIETARY INFORMATION, ARE THE PROPERTY OF CORNELL UNIVERSITY. USE OF THESE DRAWINGS BEYOND THE INTENDED PURPOSE IN SUPPORT OF OUR RESEARCH AS DESCRIBED AND FUNDED BY OUR SPONSORING AGENCIES MUST BE NEGOTIATED AND APPROVED IN ADVANCE BY CORNELL UNIVERSITY.

REVISIONS				
SYM	ZONE	DESCRIPTION	DATE	APP
		Initial Release	5/31/19	JLT
A		Added Item #44. Needed longer bolts because of modifications on copper pieces. (JLT)	6/10/19	DCB



7 Hydraulic Electrical Box  
 FILE NAME: 7207-014  
 SHEET NO.: 2  
 DFT. SCALE: 0.75  
 MATERIAL:  
 QTY:  
 NOTES:



Parts List					
41	PURCHASED	SHCS M5x0.8-25mm 316SST	4		McMaster-Carr #92290A252
30	PURCHASED	SHCS M8x1.25-20mm 316SST	2		McMaster-Carr #92290A426
29	PURCHASED	SHCS M4x0.7-20mm 316Steel	4		McMaster-Carr #91292A121
28	PURCHASED	SHCS M6x1.0-35mm 316SST	2		McMaster-Carr #92290A334
27	PURCHASED	SHCS M6x1.0 x 25mm 316SST	2		McMaster-Carr #92290A330
26	PURCHASED	Flat Washer M12 316SST	4		McMaster-Carr #90965A210
25	PURCHASED	SHCS M12x1.75 x 30mm SST	4		McMaster Carr #91292A174
24	PURCHASED	Flat Washer M5 316SST	8		McMaster-Carr #90965A160
23	PURCHASED	SHCS M5x0.8-15mm 316SST	6		McMaster-Carr #92290A867
22	7207-013-25	SQUARE2CYL Connection	4		CLASSE
21	SHEET 11	Copper Connection Plate-Middle	1		CLASSE
20	SHEET 11	Electrical Terminal	4		CLASSE
19	SHEET 11	Copper Connection Plate-Right	1		CLASSE
18	SHEET 11	Copper Connection Plate-Left	1		CLASSE
17	SHEET 10	Insulation Block Assy	1		CLASSE
16	SHEET 10	Hydraulic/Electrical Mounting Plate	1		CLASSE
15	SHEET 4	Electrical Box Cover Assembly	1		CLASSE
14	SHEET 3	Manifold Assembly	1		CLASSE

ITEM	DWG. NO.	DESCRIPTION	G1	G2	G3	REMARKS	REV.
PRINT DISTR.			PLOT DATE: 6/20/2019				
D			CAD FILE NAME: 7207-014.idw				
7207-014		CR-1		UNLESS OTHERWISE SPECIFIED:			
SH. NO. 2		OF 16		DIMENSIONS ARE IN MILLIMETERS.			
REV. A		A		TOLERANCES ON:			
				X ± .5			
				XX ± .2			
				XXX ± .1			
				ANGLES ± 0.5°			
				ALL SURFACES 1/8"			
				DRAWN BY J.Turco			
				DRAWN FOR D.Burke			
				DATE 12/10/2018			
				SCALE D			
				7207-014			
				SH. NO. 2 OF 16			
				REV. A			

THESE DRAWINGS, WHICH CONTAIN PROPRIETARY INFORMATION, ARE THE PROPERTY OF CORNELL UNIVERSITY. USE OF THESE DRAWINGS BEYOND THE INTENDED PURPOSE IN SUPPORT OF OUR RESEARCH AS DESCRIBED AND FUNDED BY OUR SPONSORING AGENCIES MUST BE NEGOTIATED AND APPROVED IN ADVANCE BY CORNELL UNIVERSITY.

Cornell Laboratory for Accelerator-based ScienceS and Education (CLASSE)

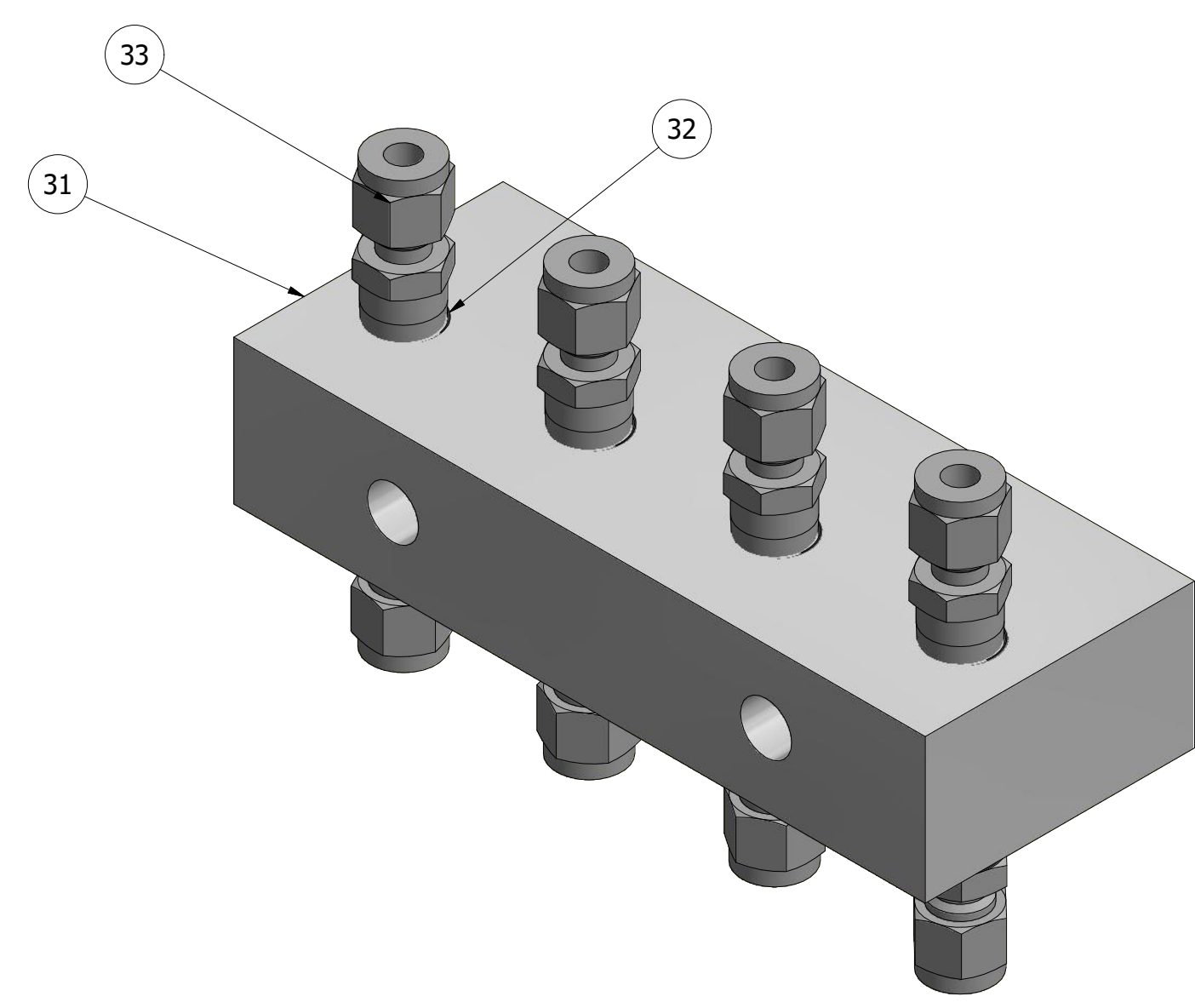
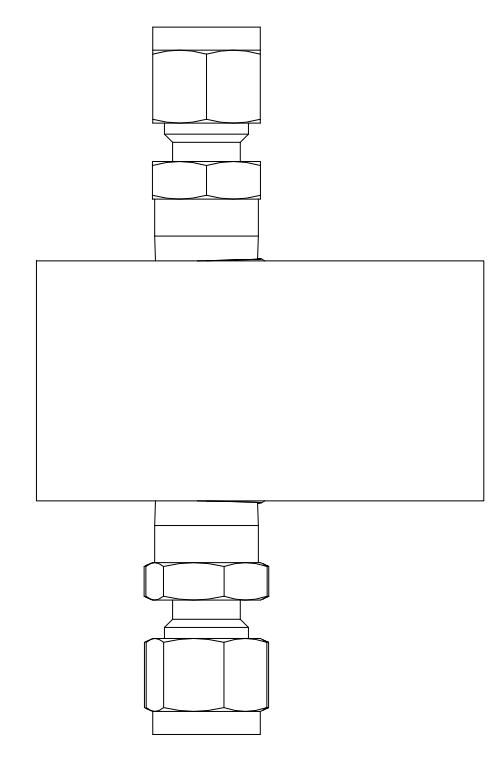
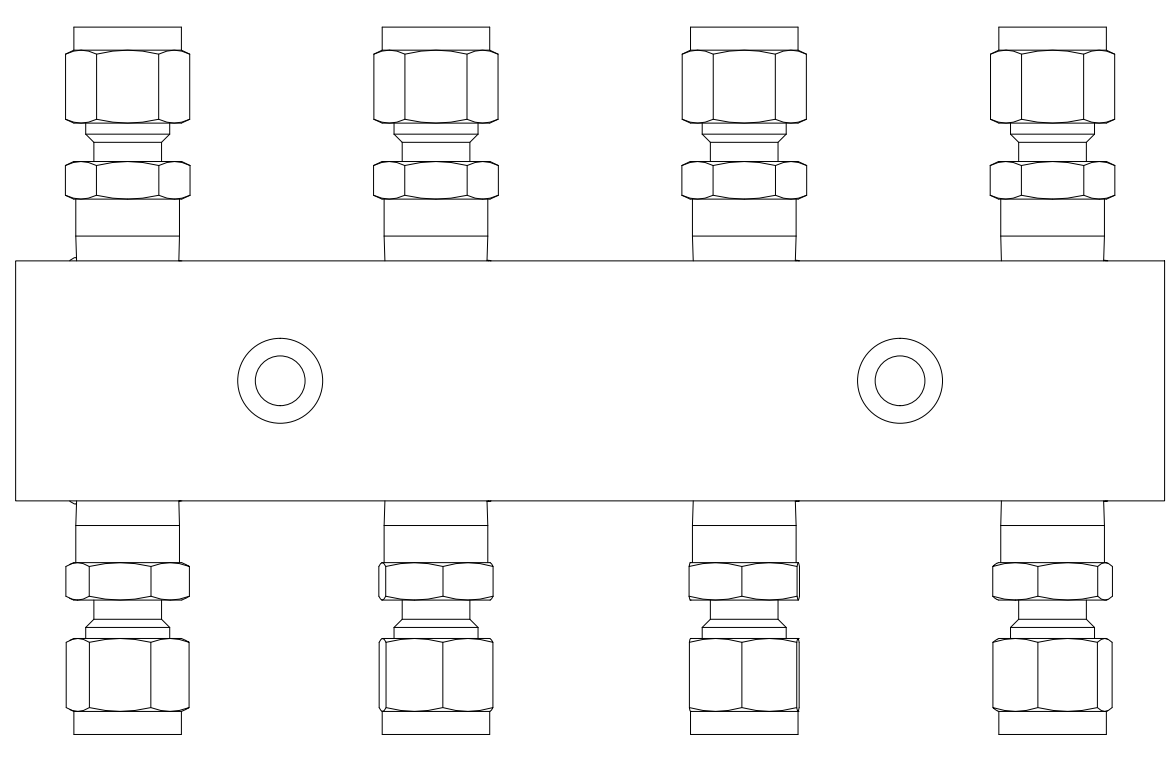
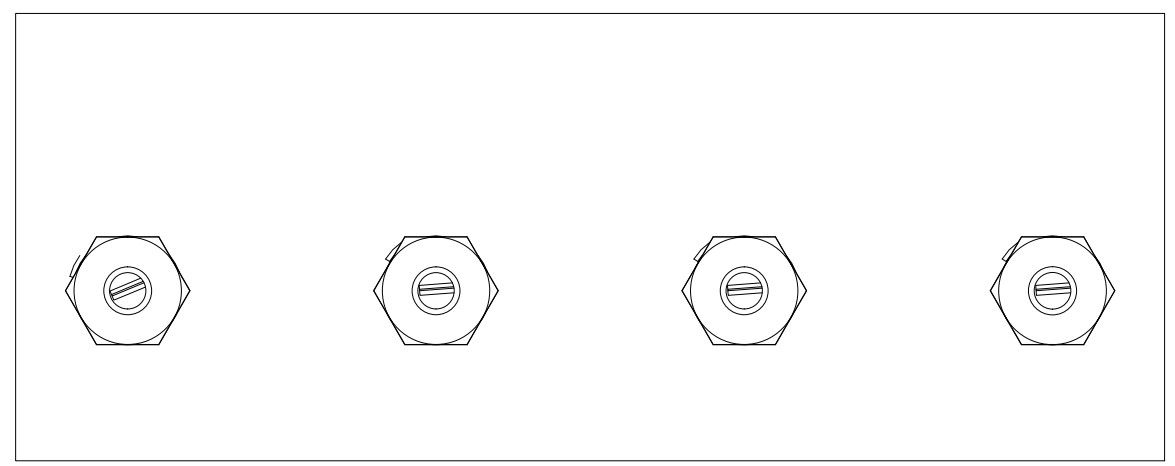
Septum 2 Hydraulic Electrical Box Assy

9 8 7 6 5 4 3 2 1

F E D C B A

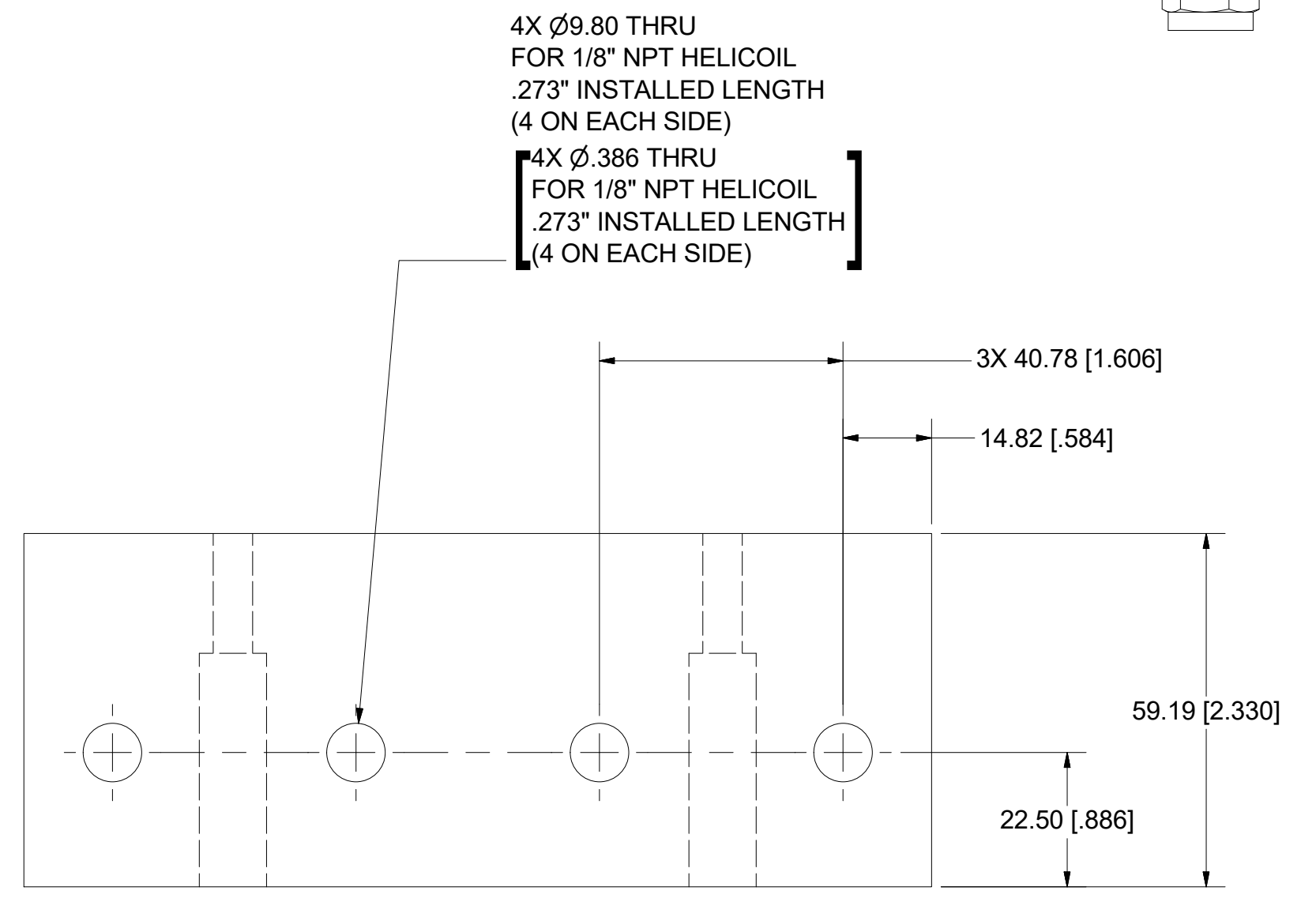
9 8 7 6 5 4 3 2 1

REVISIONS				
SYM	ZONE	DESCRIPTION	DATE	APP
		Initial Release	5/31/19	JLT



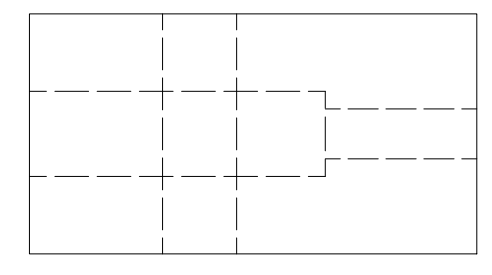
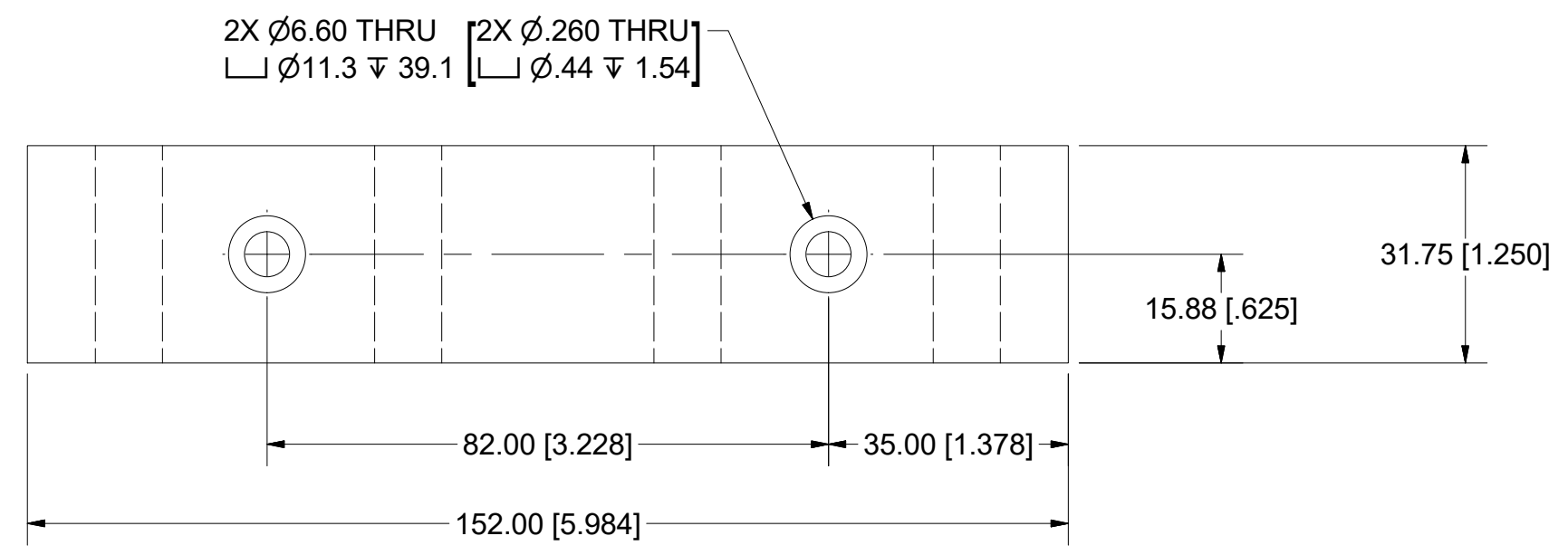
**14 Manifold Assembly**

FILE NAME: 7207-014  
 SHEET NO.: 3  
 DFT. SCALE: 1  
 MATERIAL: AS NOTED  
 QTY: 1  
 NOTES:



**31 Manifold Block**

FILE NAME: 7207-014  
 SHEET NO.: 3  
 DFT. SCALE: 1  
 MATERIAL: PEEK  
 QTY: 1  
 NOTES:

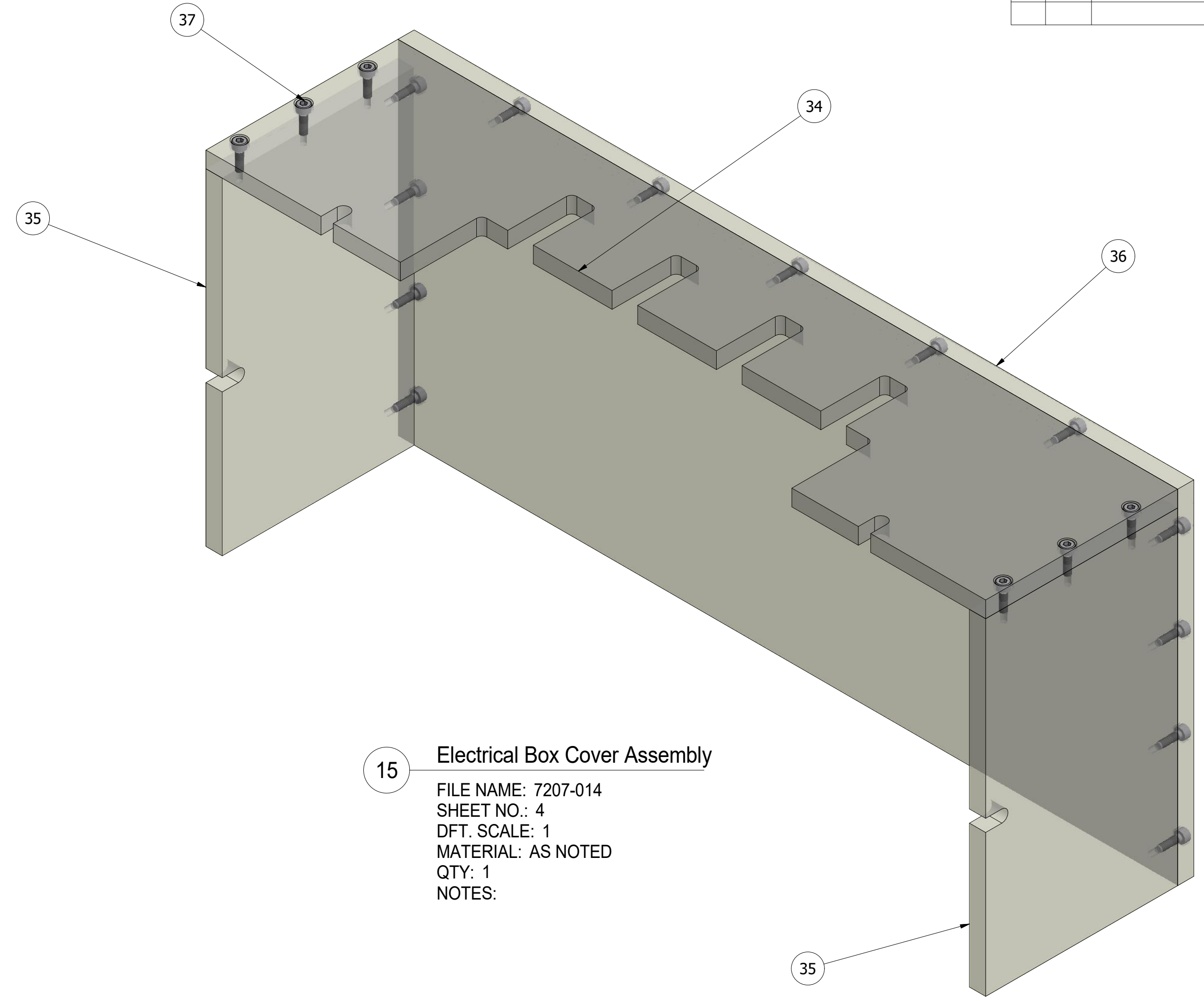


Parts List				
ITEM	DWG. NO.	DESCRIPTION	QTY	REMARKS
33	PURCHASED	Swagelok Male Connector, .125 NPT, .250 Tube 316SST	8	Swagelok #SS-400-1-2
32	PURCHASED	Standard Helical Insert 1/8" NPT x .273" Long, SST	8	McMaster-Carr #91733A401
31	SHEET 3	Manifold Block	1	CLASSE

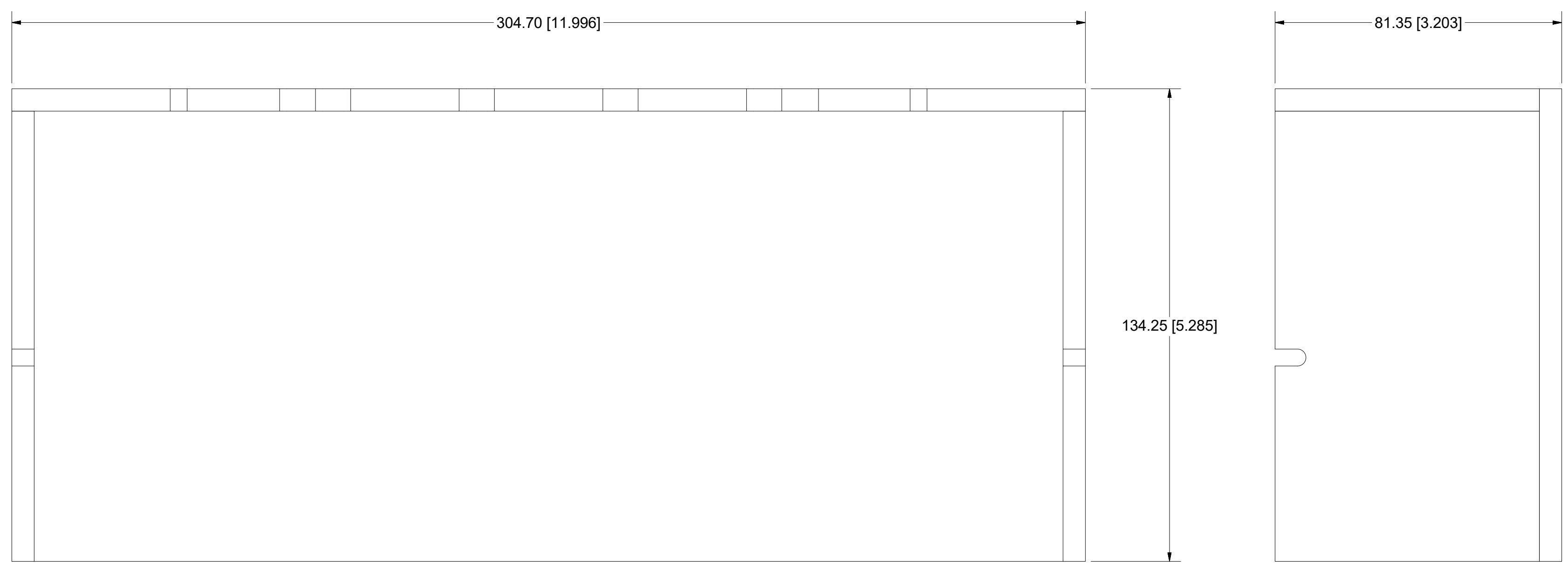
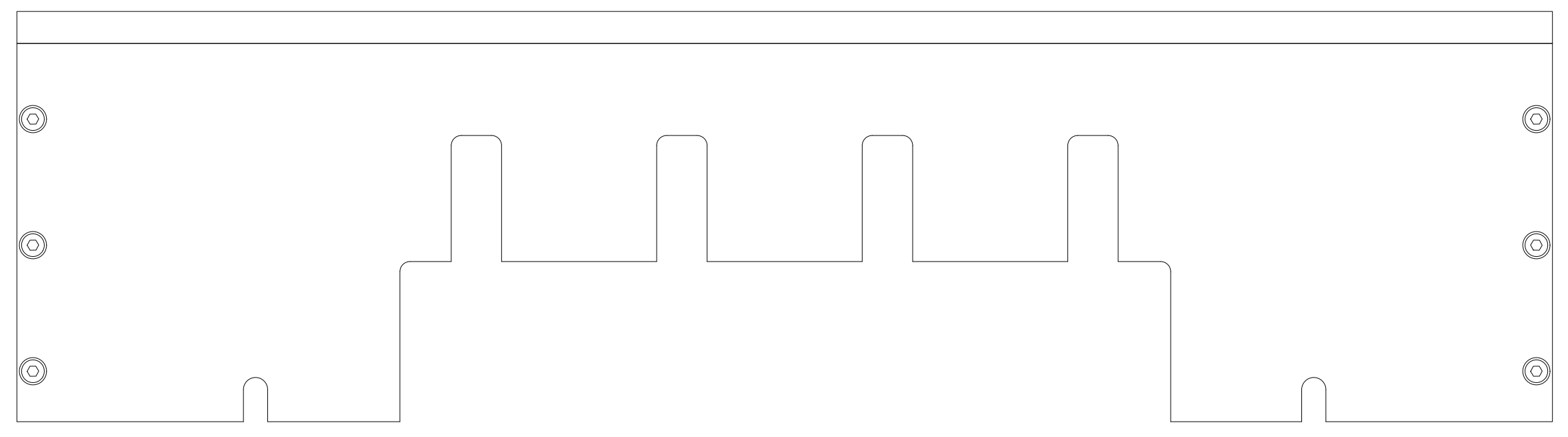
D	PRINT DISTR.	PLOT DATE: 6/20/2019 CAD FILE NAME: 7207-014.idw	Cornell Laboratory for Accelerator-based ScienceS and Education (CLASSE)					
	REV. 3	CR-1	Septum 2 Manifold Assy and Details					
UNLESS OTHERWISE SPECIFIED: DIMENSIONS ARE IN MILLIMETERS. TOLERANCES ON: X ± .5 XX ± .2 XXX ± .1 ANGLES ± 0.5° ALL SURFACES $\sqrt{R}$		CHECKED BY: D.Burke	DRAWN BY: J.Turco	DRAWN FOR: D.Burke	DATE: 12/10/2018	SCALE: D	7207-014 SH. NO. 3 OF 16	REV.

THESE DRAWINGS, WHICH CONTAIN PROPRIETARY INFORMATION, ARE THE PROPERTY OF CORNELL UNIVERSITY. USE OF THESE DRAWINGS BEYOND THE INTENDED PURPOSE IN SUPPORT OF OUR RESEARCH AS DESCRIBED AND FUNDED BY OUR SPONSORING AGENCIES MUST BE NEGOTIATED AND APPROVED IN ADVANCE BY CORNELL UNIVERSITY.

REVISIONS				
SYM	ZONE	DESCRIPTION	DATE	APP
		Initial Release	5/31/19	JLT



**15 Electrical Box Cover Assembly**  
 FILE NAME: 7207-014  
 SHEET NO.: 4  
 DFT. SCALE: 1  
 MATERIAL: AS NOTED  
 QTY: 1  
 NOTES:



Parts List					
37	PURCHASED	SHCS M2.5x0.45 x 8mm 316SST	19		McMaster-Carr #92290A058
36	SHEET 12	Electrical Box Cover - Front	1		CLASSE
35	SHEET 12	Electrical Box Cover - Side	2		CLASSE
34	SHEET 12	Electrical Box Cover - Top	1		CLASSE

ITEM	DWG. NO.	DESCRIPTION	G1	G2	G3	REMARKS	REV.
			QUANTITY				
PRINT DATE: 6/20/2019 CAD FILE NAME: 7207-014.idw							
<b>D</b> PRINT DISTR.		CR-1 7207-014 SH. NO. 4 OF 16		UNLESS OTHERWISE SPECIFIED: DIMENSIONS ARE IN MILLIMETERS. TOLERANCES ON: X ± .5 XX ± .2 XXX ± .1 ANGLES ± 0.5° ALL SURFACES 1/8"		Cornell Laboratory for Accelerator-based ScienceS and Education (CLASSE)	
CHECKED BY: D.Burke APPROVED BY: D.Burke		DRAWN BY: J.Turco DRAWN FOR: D.Burke		DATE: 12/10/2018		SCALE: <b>D</b> 7207-014 SH. NO. 4 OF 16	

THESE DRAWINGS, WHICH CONTAIN PROPRIETARY INFORMATION, ARE THE PROPERTY OF CORNELL UNIVERSITY. USE OF THESE DRAWINGS BEYOND THE INTENDED PURPOSE IN SUPPORT OF OUR RESEARCH AS DESCRIBED AND FUNDED BY OUR SPONSORING AGENCIES MUST BE NEGOTIATED AND APPROVED IN ADVANCE BY CORNELL UNIVERSITY.

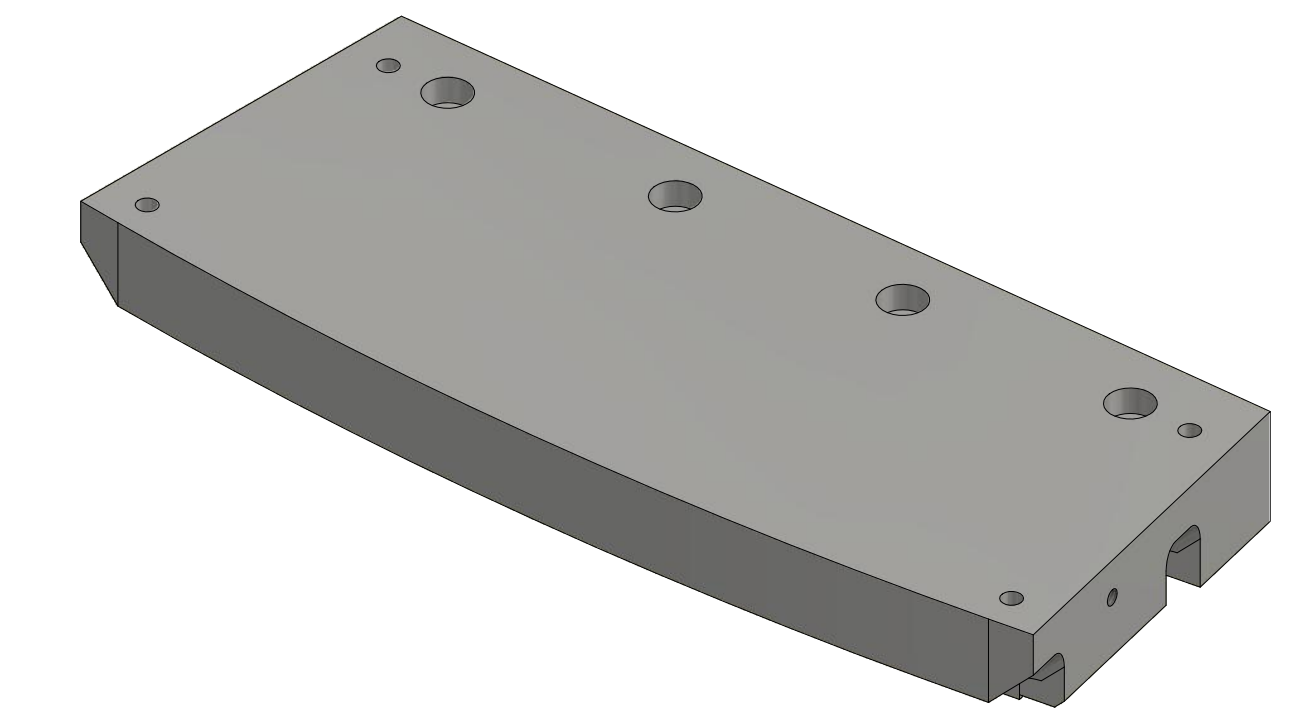
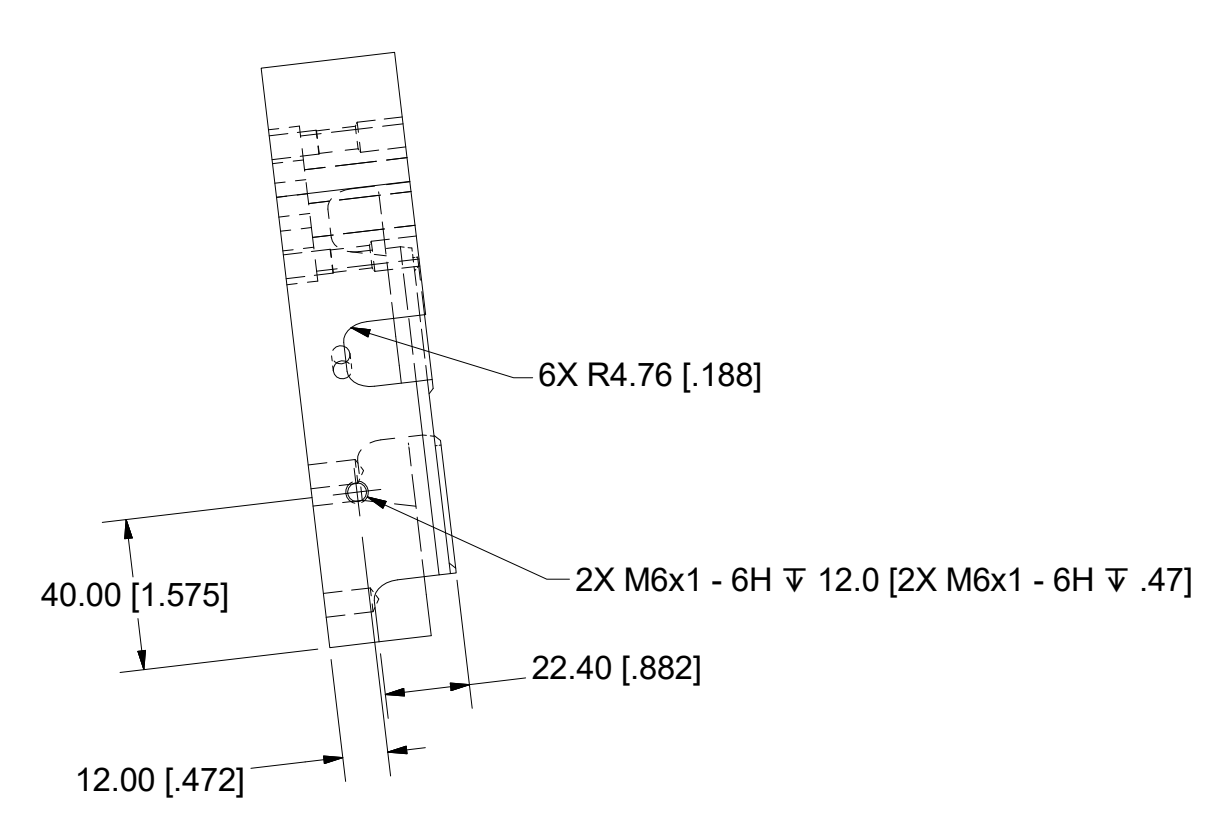
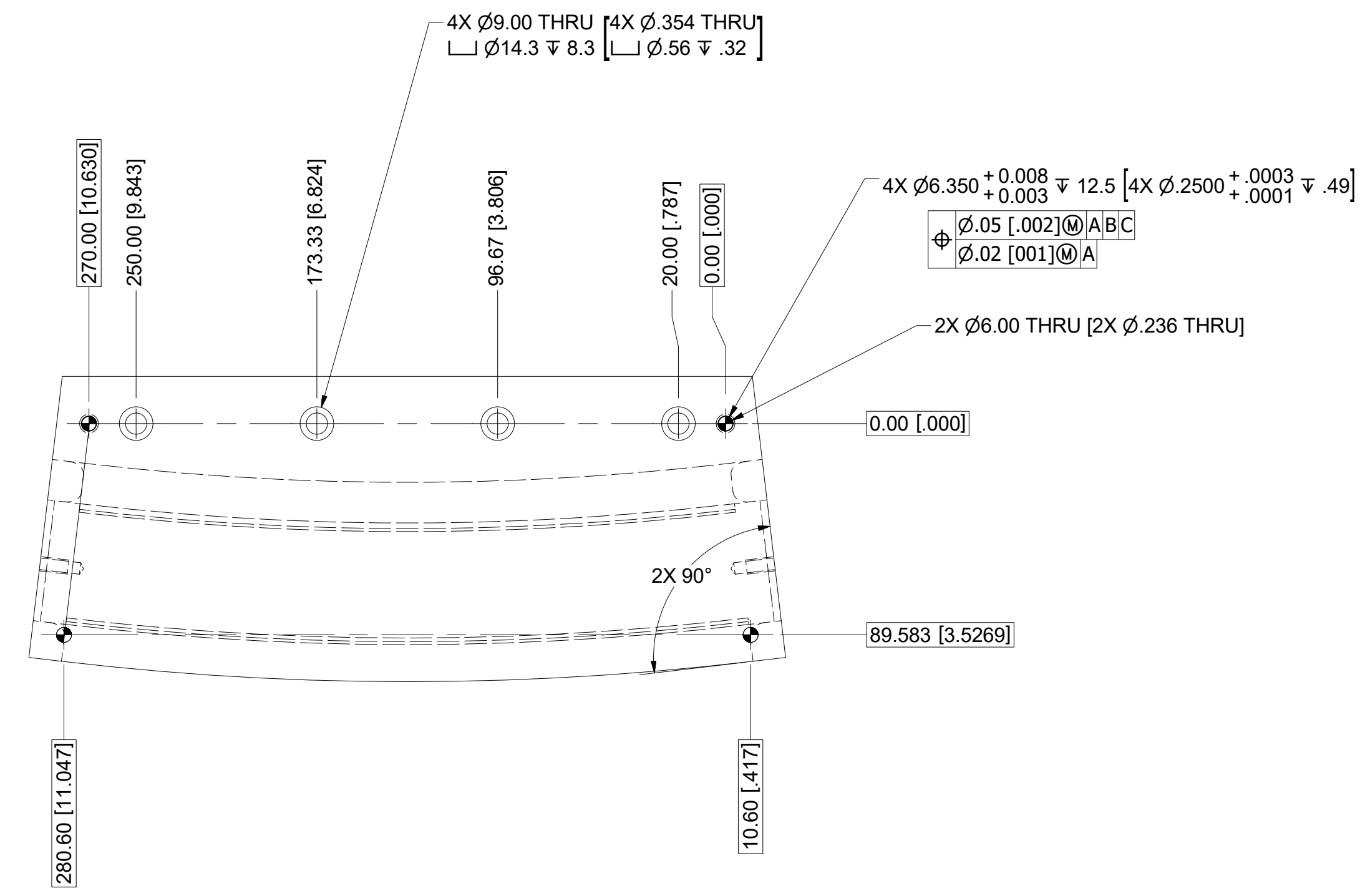
9 8 7 6 5 4 3 2 1

F  
E  
D  
C  
B  
A

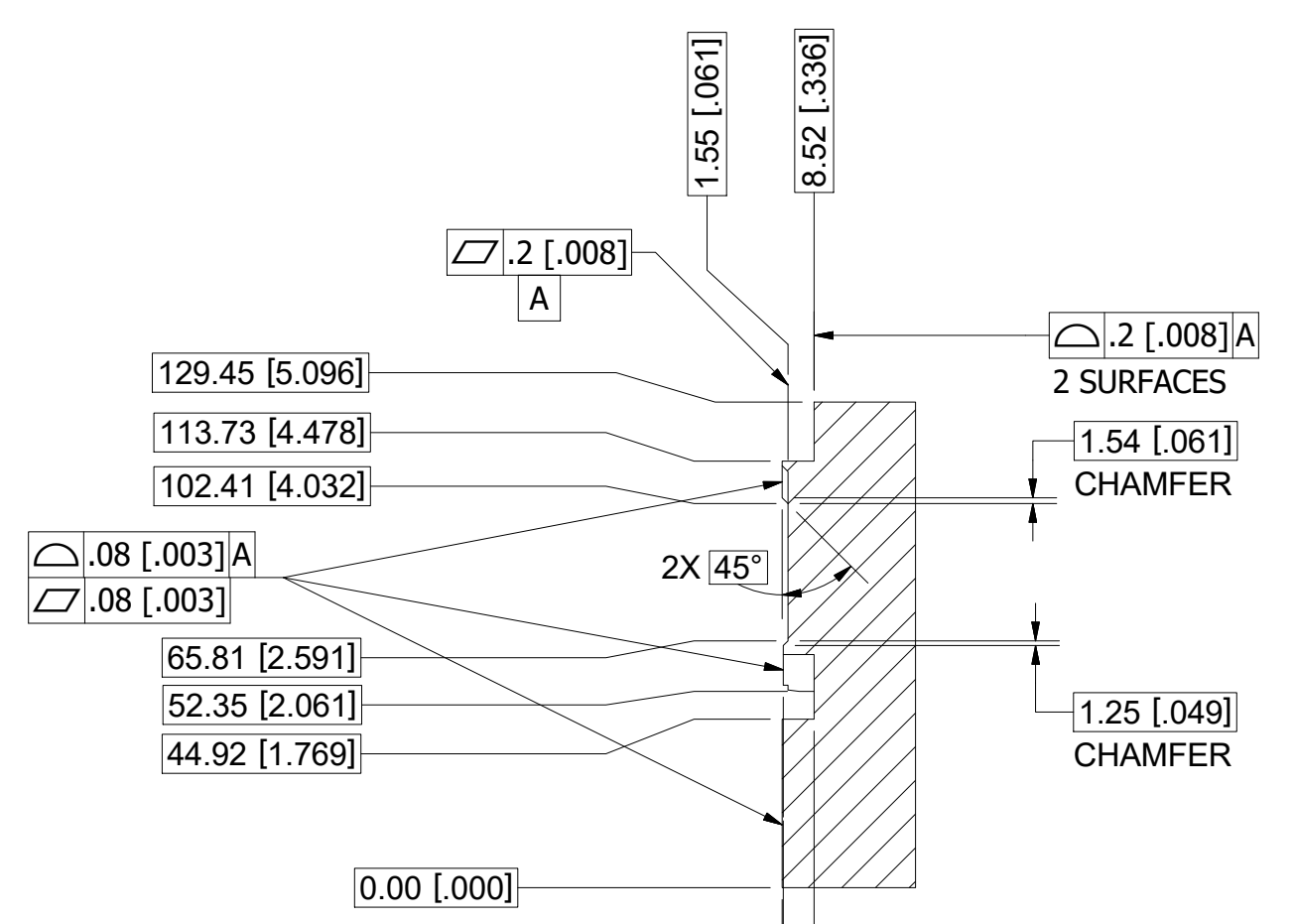
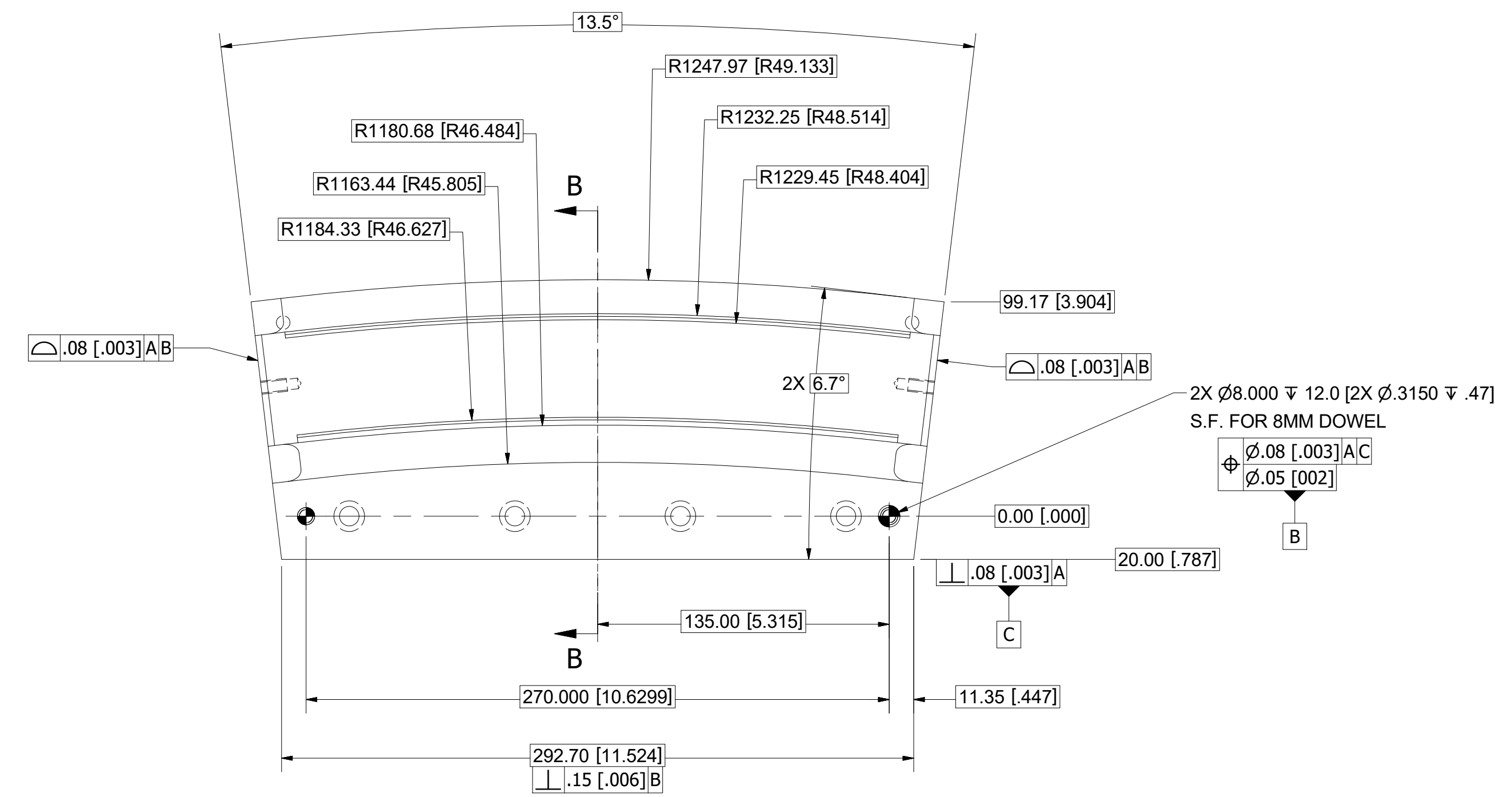
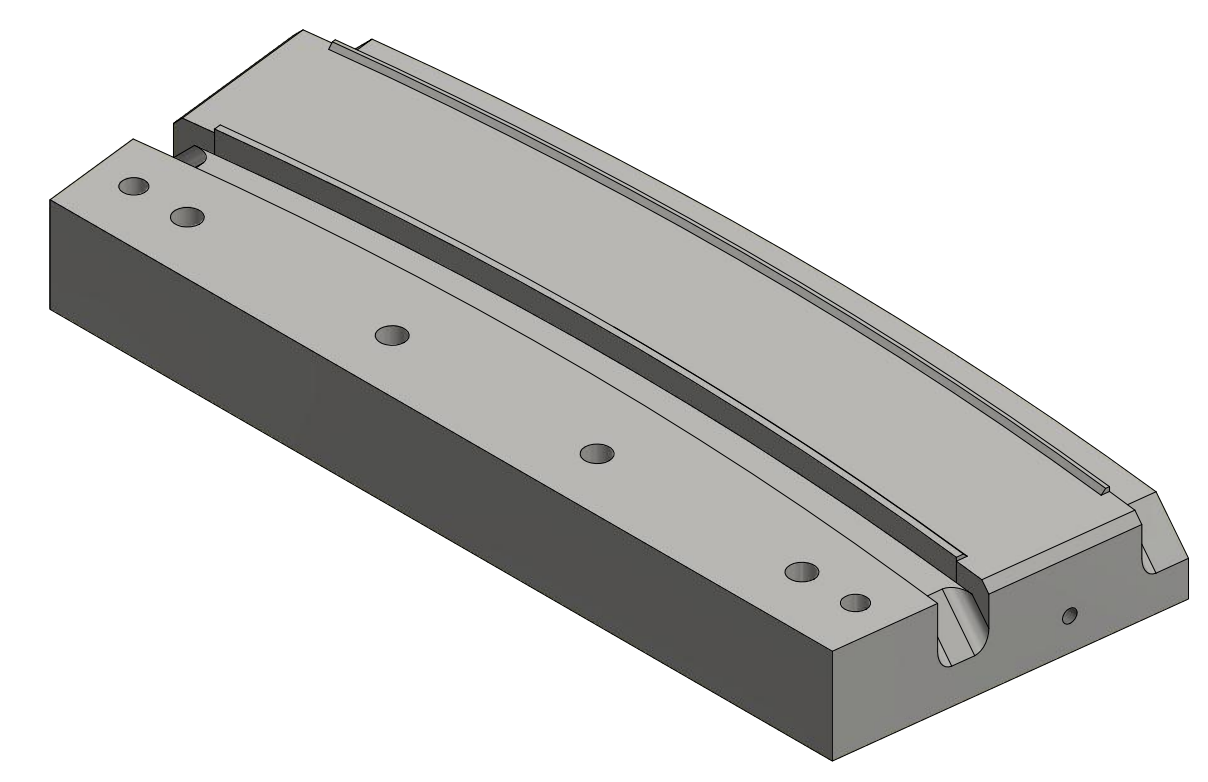
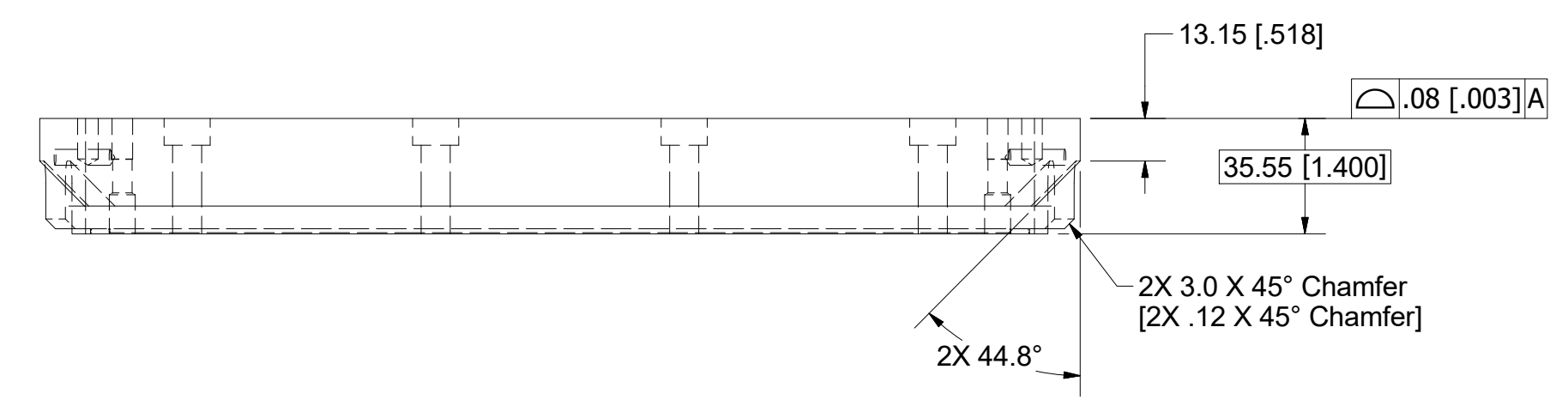
F  
E  
D  
C  
B  
A

9 8 7 6 5 4 3 2 1

REVISIONS				
SYM	ZONE	DESCRIPTION	DATE	APP
		Initial Release	5/31/19	JLT



1 Septum 2 - Top  
 FILE NAME: 7207-014  
 SHEET NO.: 5  
 DFT. SCALE: 0.5  
 MATERIAL: Magnet Iron  
 QTY: 1  
 NOTES:

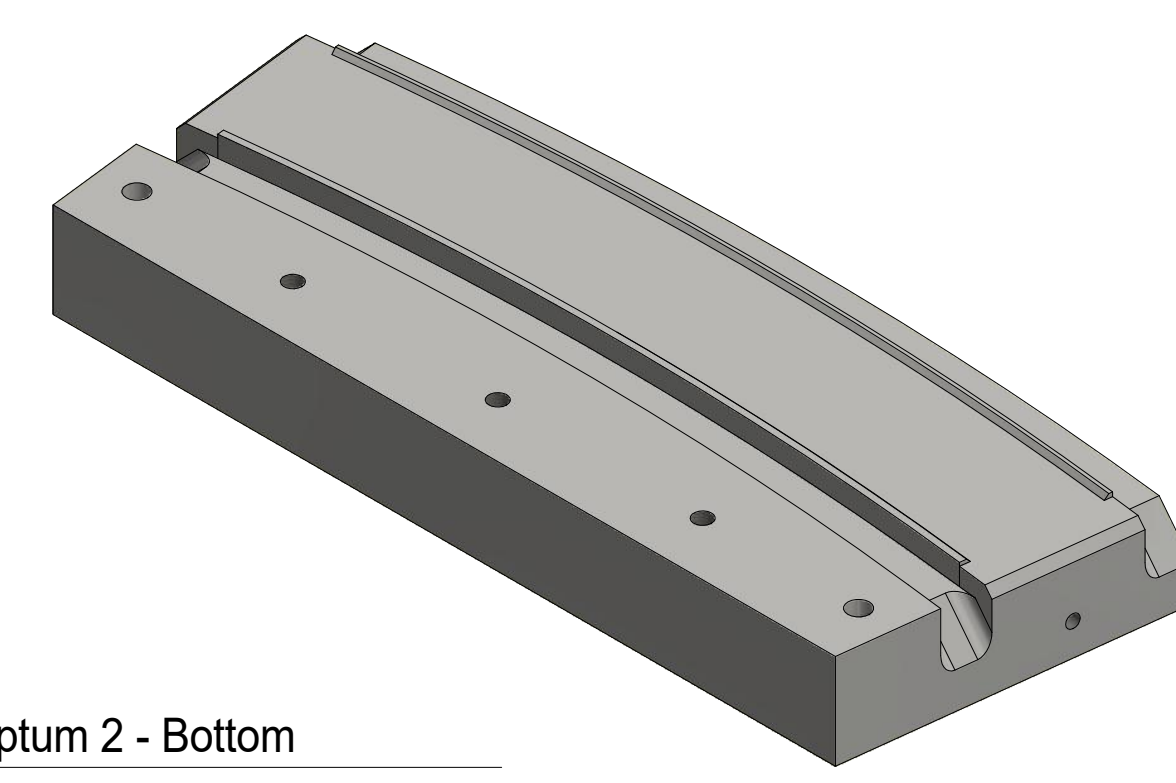
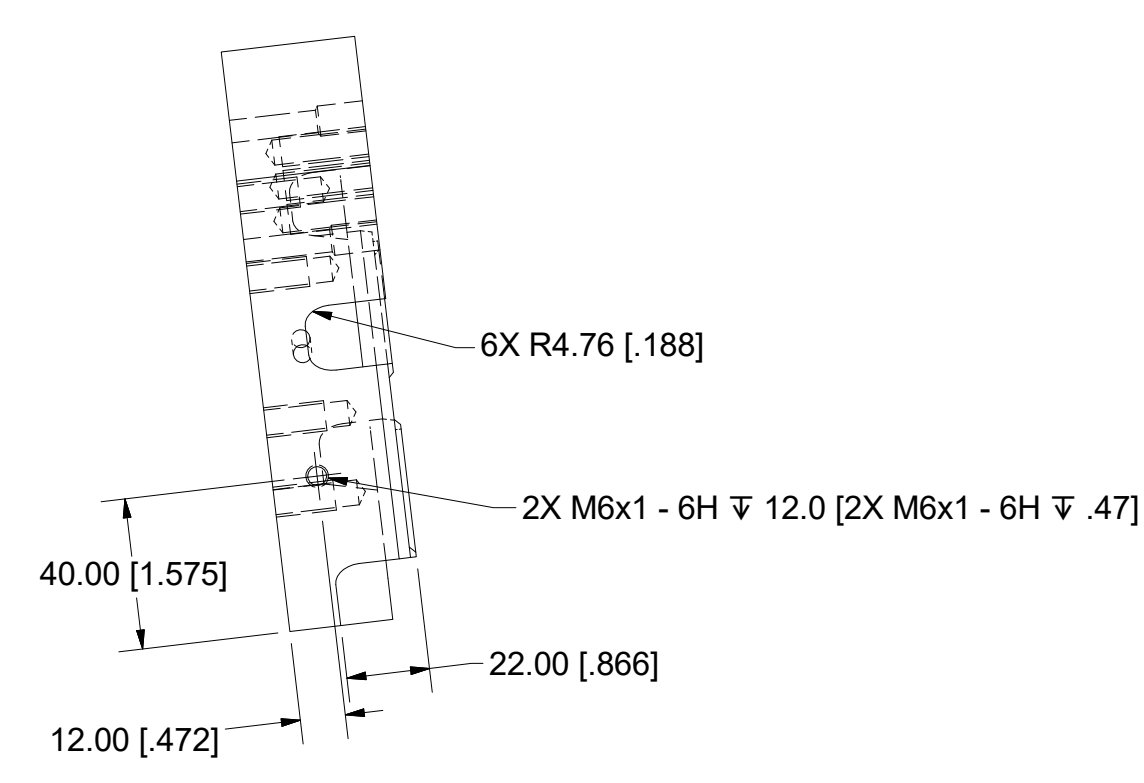
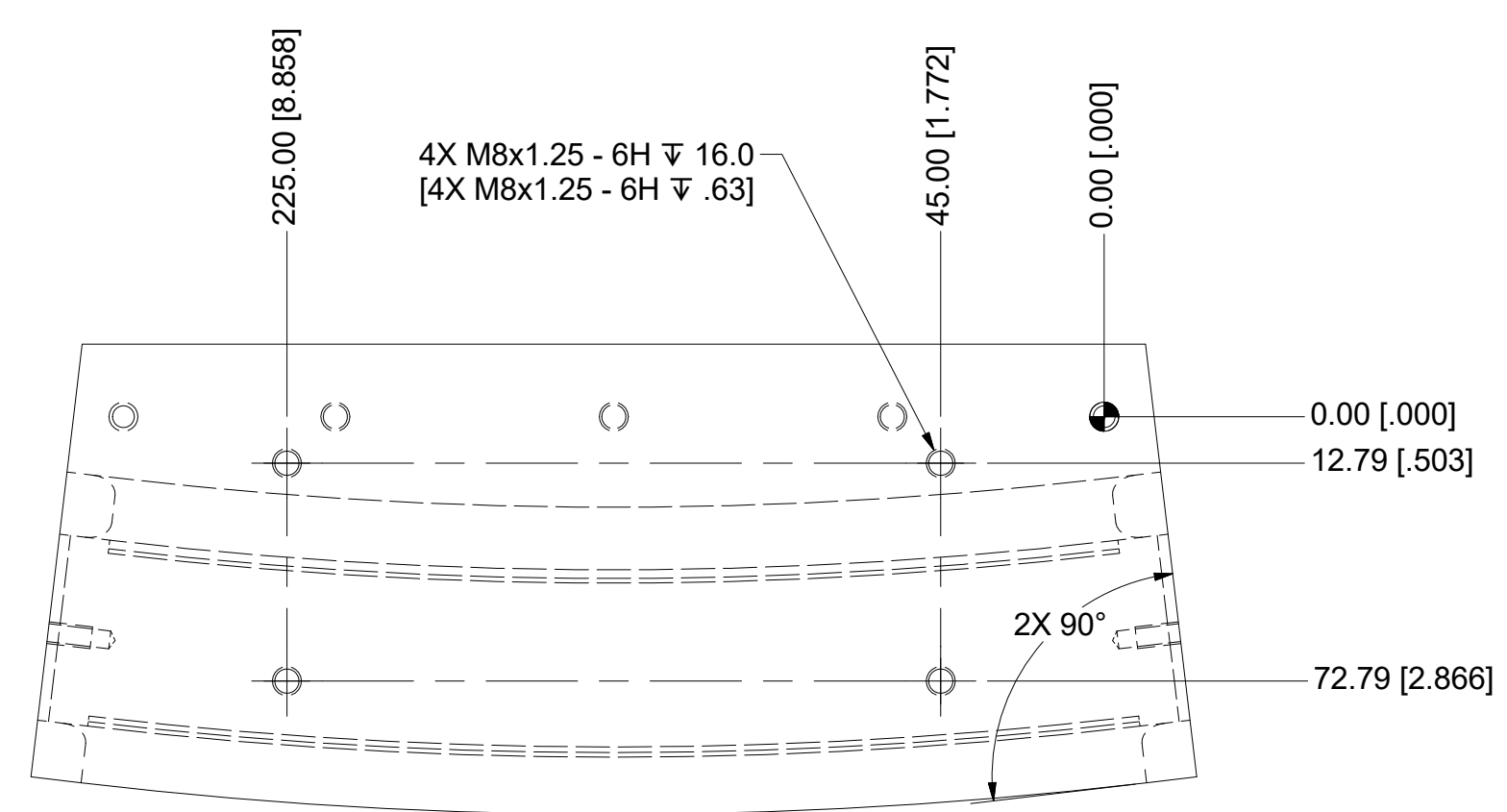


SECTION B-B  
 SCALE 1 / 2

THESE DRAWINGS, WHICH CONTAIN PROPRIETARY INFORMATION, ARE THE PROPERTY OF CORNELL UNIVERSITY. USE OF THESE DRAWINGS BEYOND THE INTENDED PURPOSE IN SUPPORT OF OUR RESEARCH AS DESCRIBED AND FUNDED BY OUR SPONSORING AGENCIES MUST BE NEGOTIATED AND APPROVED IN ADVANCE BY CORNELL UNIVERSITY.

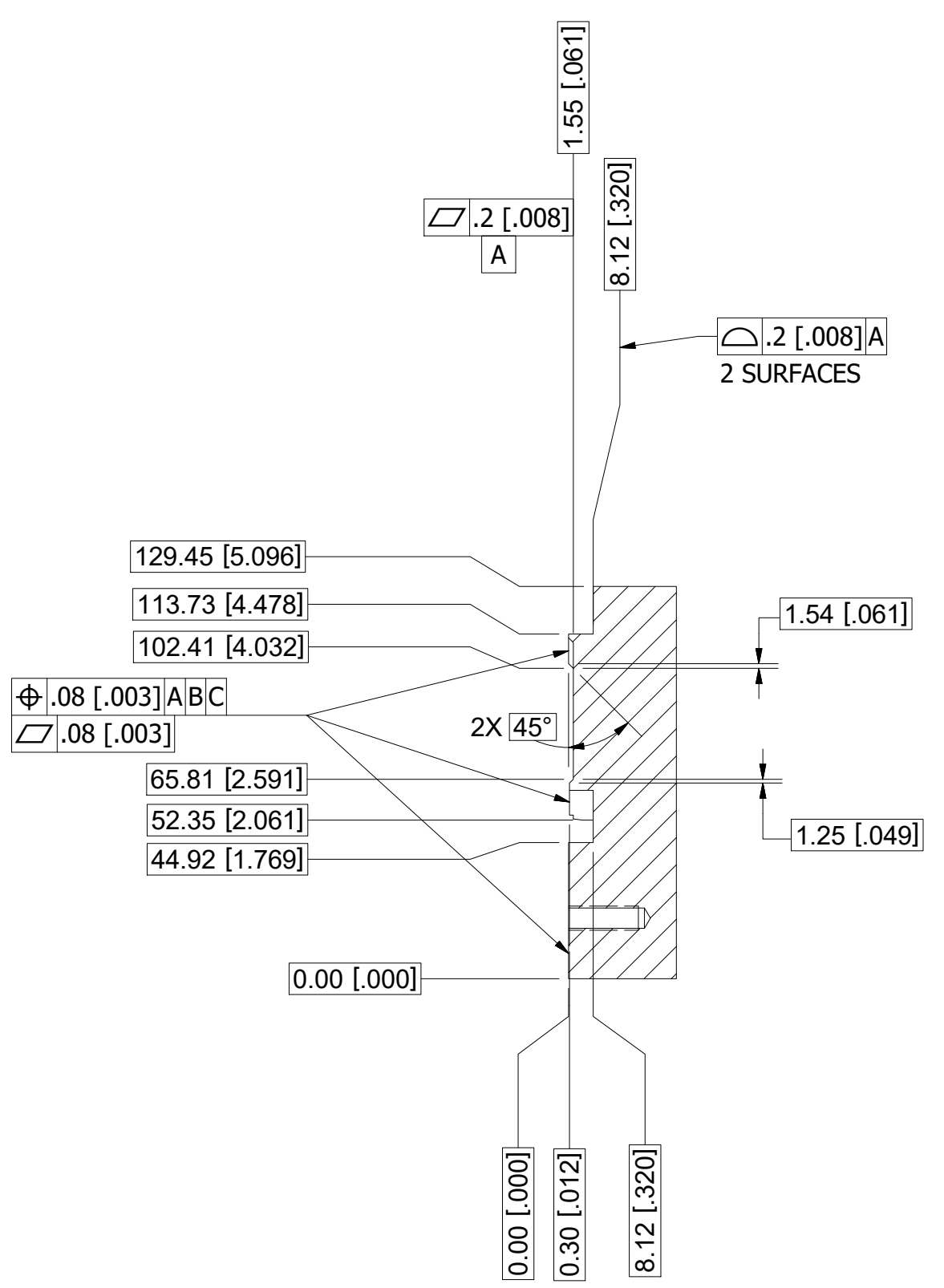
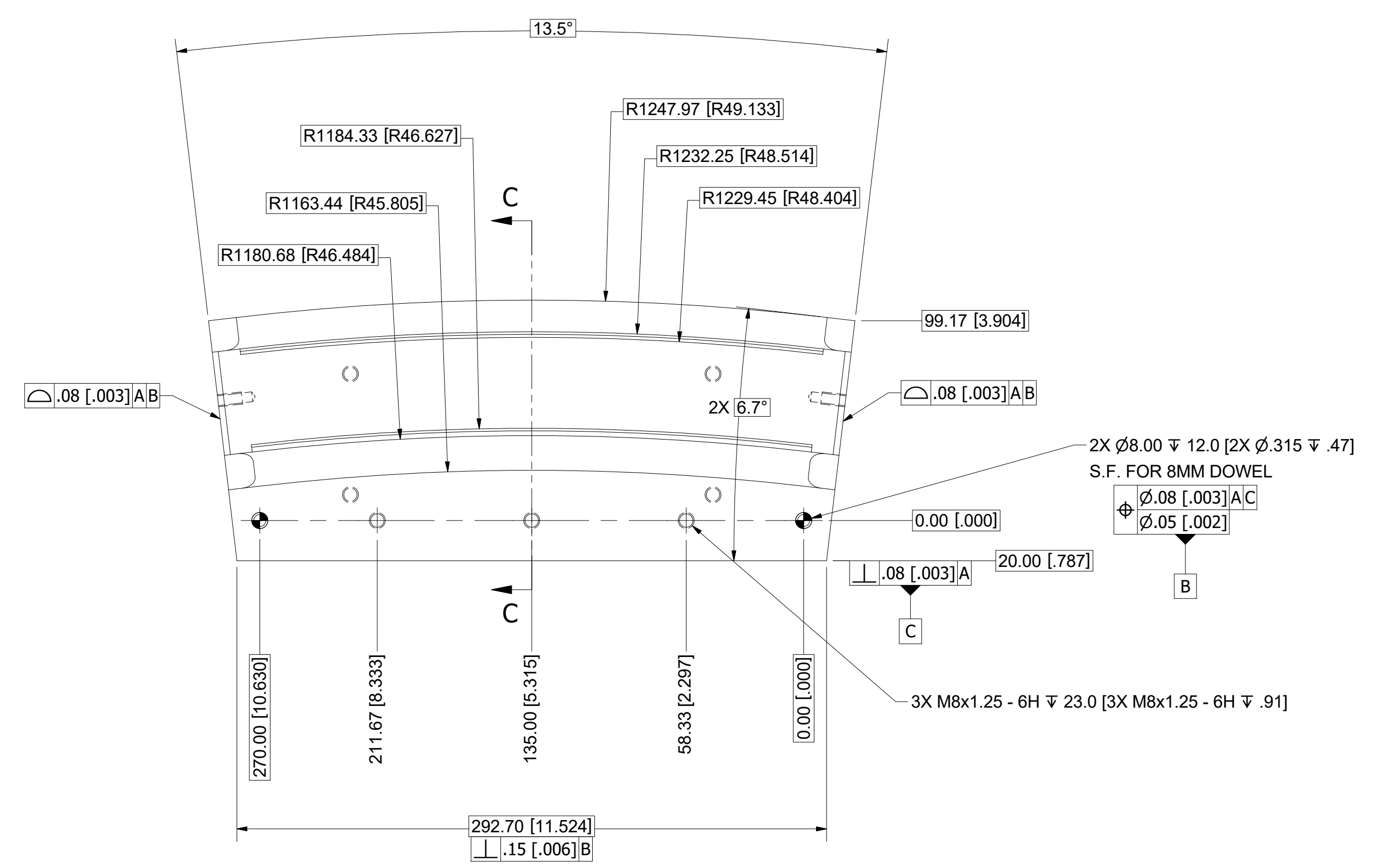
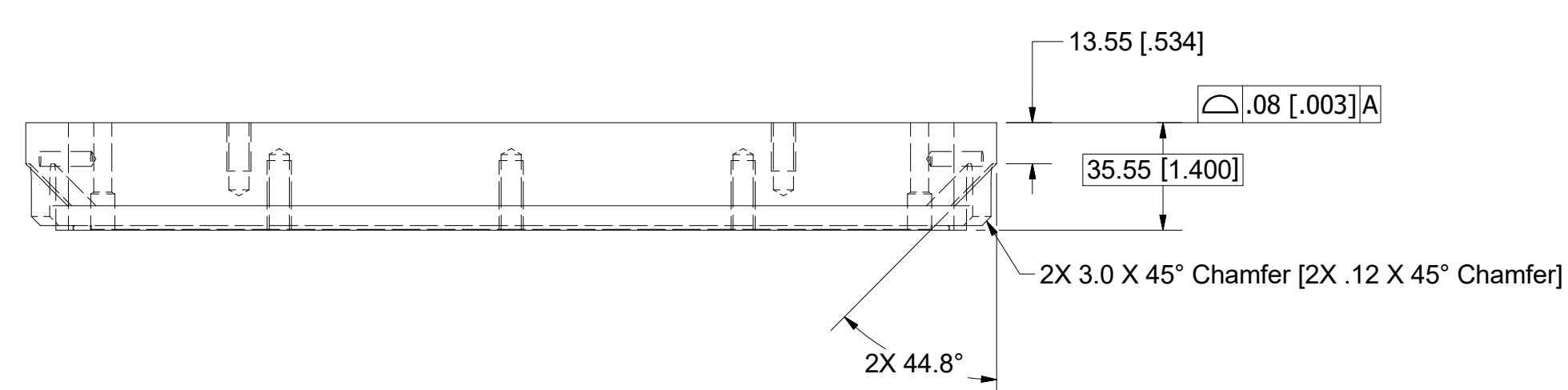
REV	PRINT DISTR.	ITEM	DWG. NO.	DESCRIPTION	G1	G2	G3	REMARKS	REV.	
					QUANTITY					
D				PLOT DATE: 6/20/2019 CAD FILE NAME: 7207-014.idw						
7207-014 SH. NO. 5 OF 16	CR-1			UNLESS OTHERWISE SPECIFIED: DIMENSIONS ARE IN MILLIMETERS. TOLERANCES ON: X ± .5 XX ± .2 XXX ± .1 ANGLES ± 0.5° ALL SURFACES $\nabla 1/8$	 Cornell Laboratory for Accelerator-based ScienceS and Education (CLASSE)					
				CHECKED BY: D.Burke APPROVED BY: D.Burke	DRAWN BY J.Turco	DRAWN FOR D.Burke	DATE 12/10/2018	SCALE D	7207-014 SH. NO. 5 OF 16	REV.

REVISIONS				
SYM	ZONE	DESCRIPTION	DATE	APP
		Initial Release	5/31/19	JLT



**2** Septum 2 - Bottom

FILE NAME: 7207-014  
SHEET NO.: 6  
DFT. SCALE: 0.5  
MATERIAL: Magnet Iron  
QTY: 1  
NOTES:

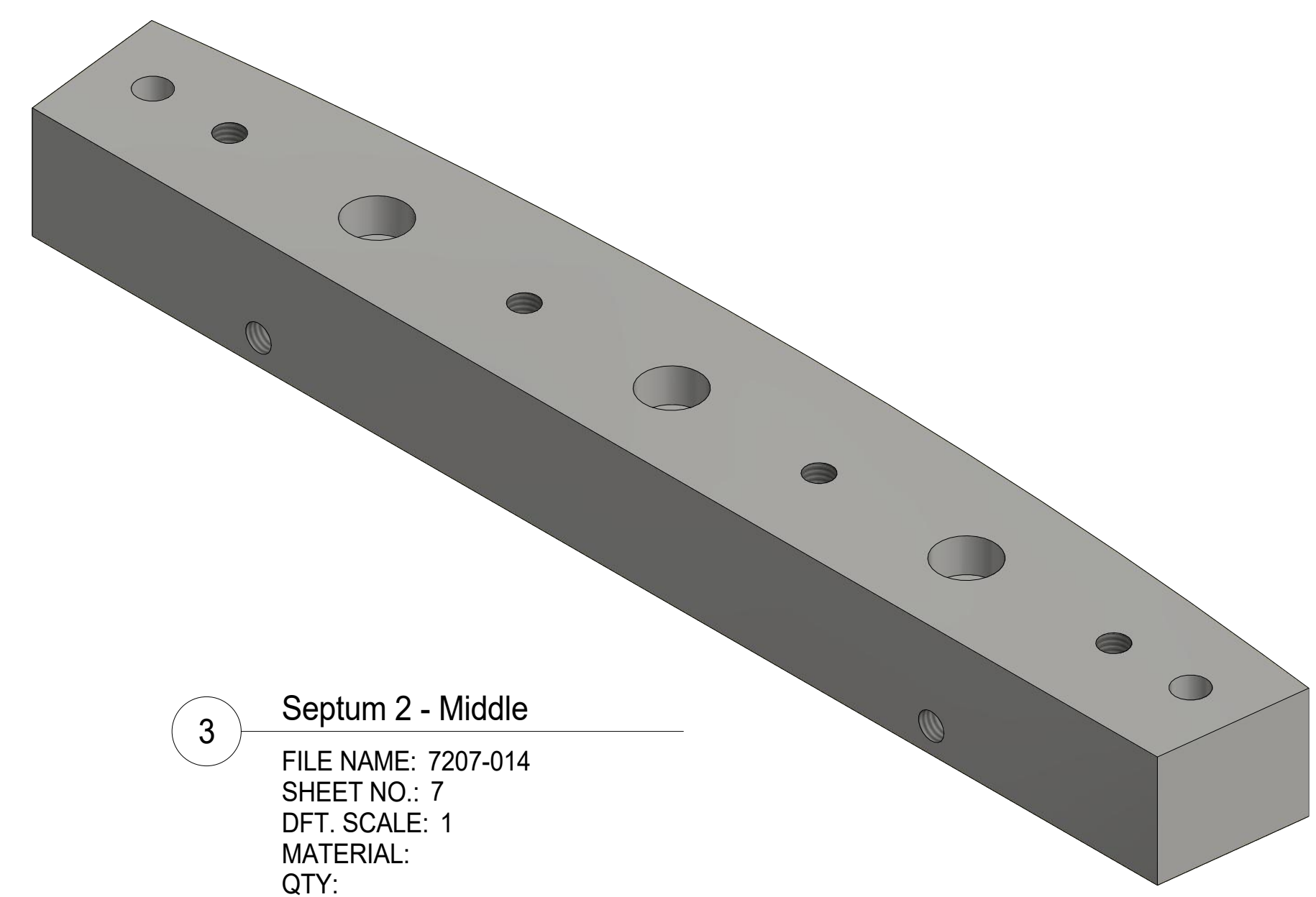
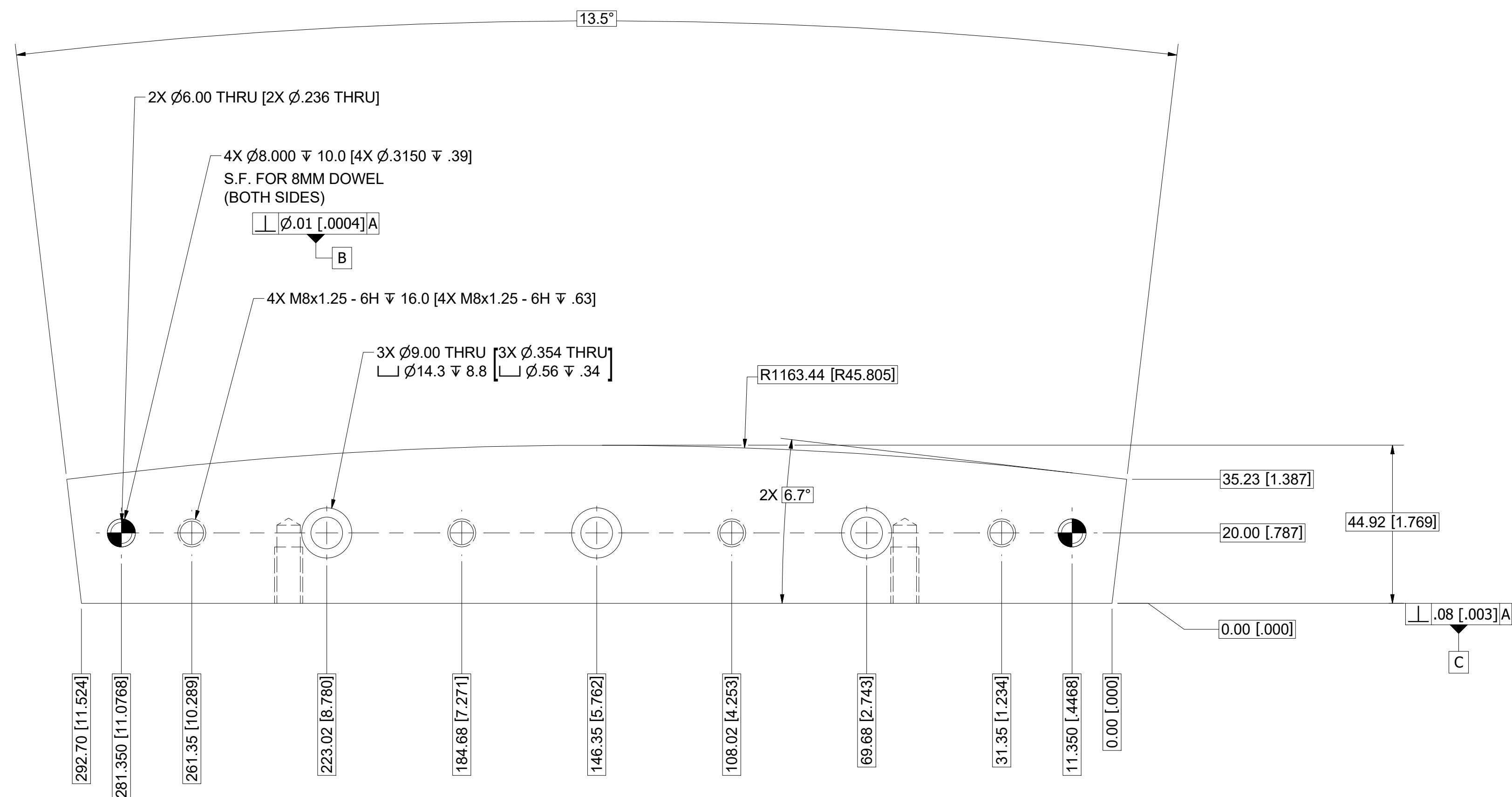


SECTION C-C  
SCALE 1 / 2

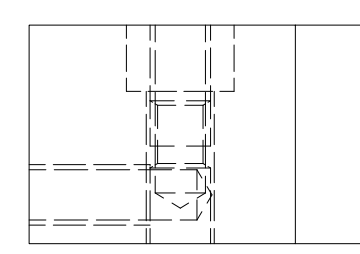
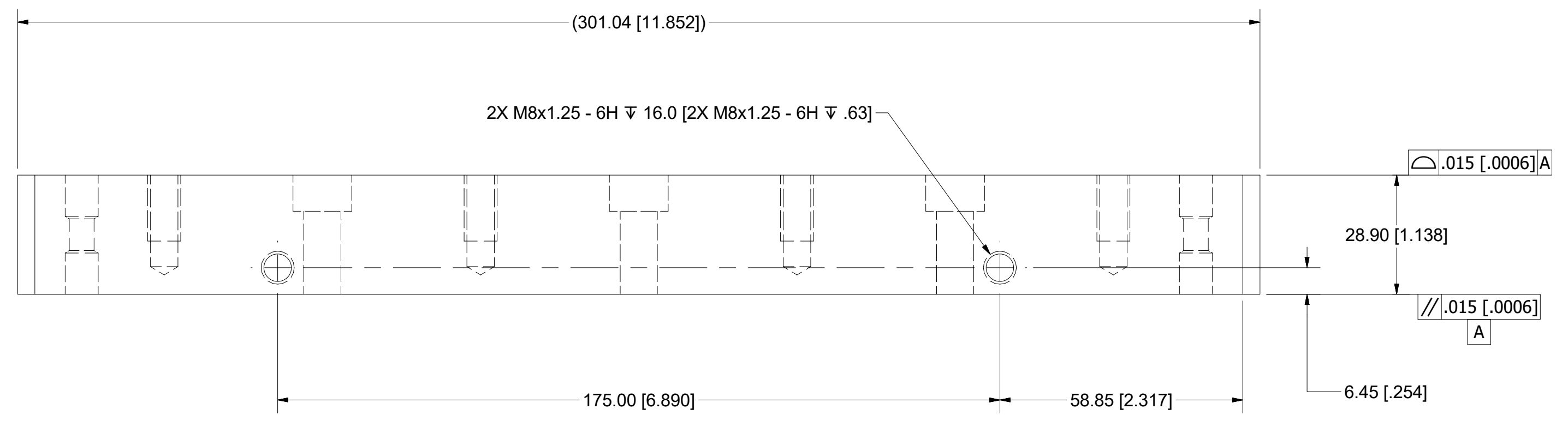
THESE DRAWINGS, WHICH CONTAIN PROPRIETARY INFORMATION, ARE THE PROPERTY OF CORNELL UNIVERSITY. USE OF THESE DRAWINGS BEYOND THE INTENDED PURPOSE IN SUPPORT OF OUR RESEARCH AS DESCRIBED AND FUNDED BY OUR SPONSORING AGENCIES MUST BE NEGOTIATED AND APPROVED IN ADVANCE BY CORNELL UNIVERSITY.

REV.	PRINT DISTR.	ITEM	DWG. NO.	DESCRIPTION	G1	G2	G3	REMARKS	REV.
					QUANTITY				
D				PLOT DATE: 6/20/2019 CAD FILE NAME: 7207-014.idw					
7207-014 SH. NO. 6 OF 16	CR-1			UNLESS OTHERWISE SPECIFIED: DIMENSIONS ARE IN MILLIMETERS. TOLERANCES ON: X ± .5 XX ± .2 XXX ± .1 ANGLES ± 0.5° ALL SURFACES $\nabla$ 1/8	 Cornell Laboratory for Accelerator-based ScienceS and Education (CLASSE)				
				CHECKED BY: D.Burke APPROVED BY: D.Burke	DRAWN BY J.Turco	DRAWN FOR D.Burke	DATE 12/10/2018	SCALE D	7207-014 SH. NO. 6 OF 16

REVISIONS				
SYM	ZONE	DESCRIPTION	DATE	APP
		Initial Release	5/31/19	JLT



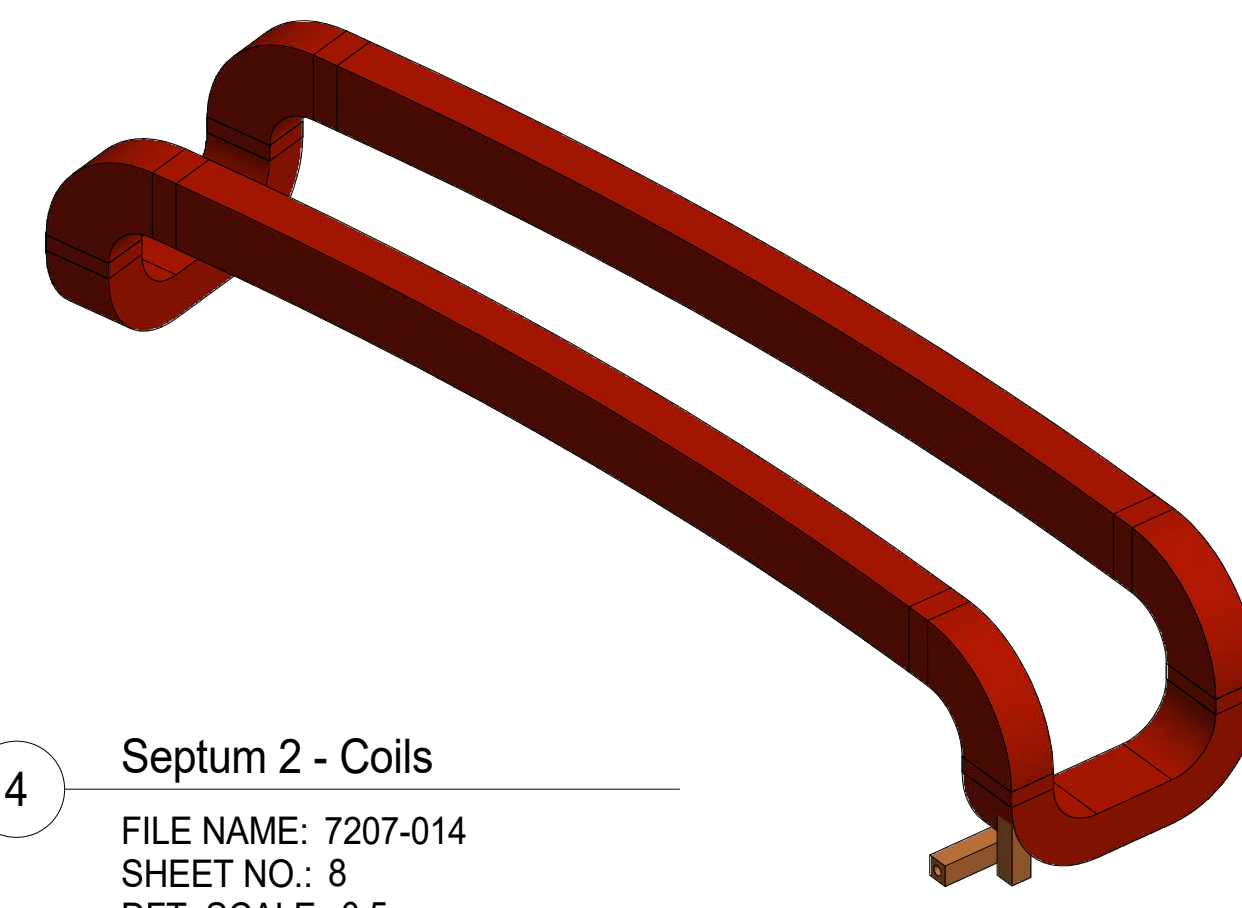
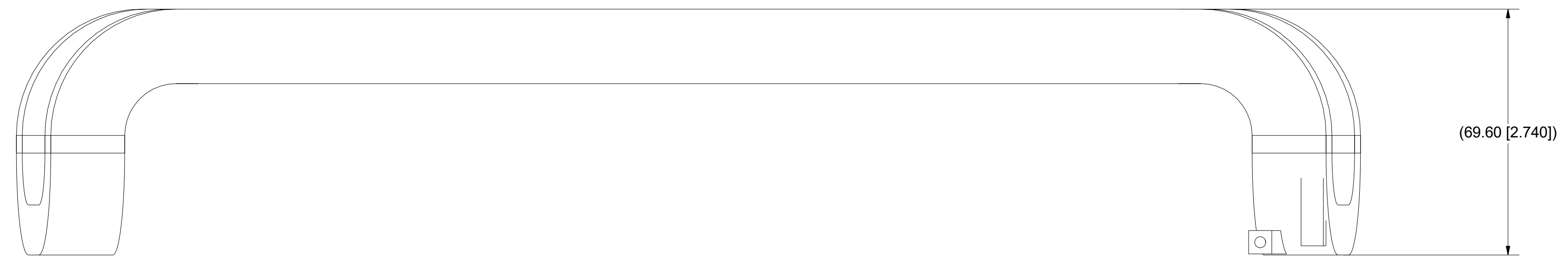
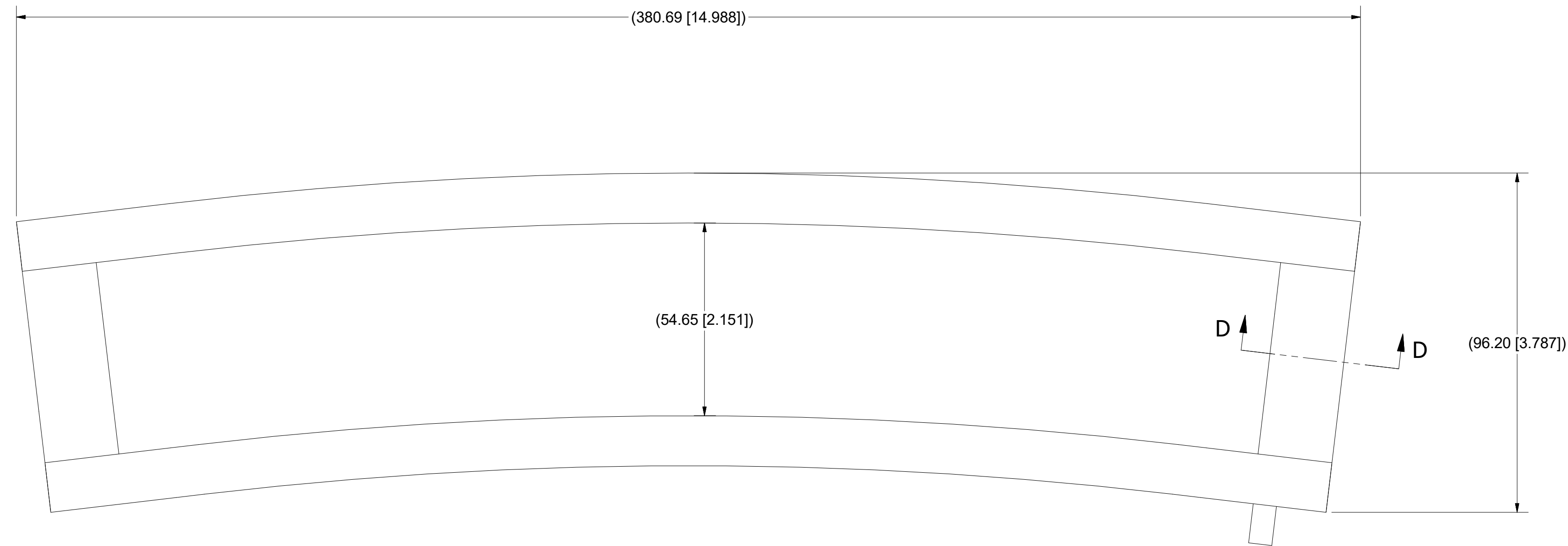
3 Septum 2 - Middle  
 FILE NAME: 7207-014  
 SHEET NO.: 7  
 DFT. SCALE: 1  
 MATERIAL:  
 QTY:  
 NOTES:



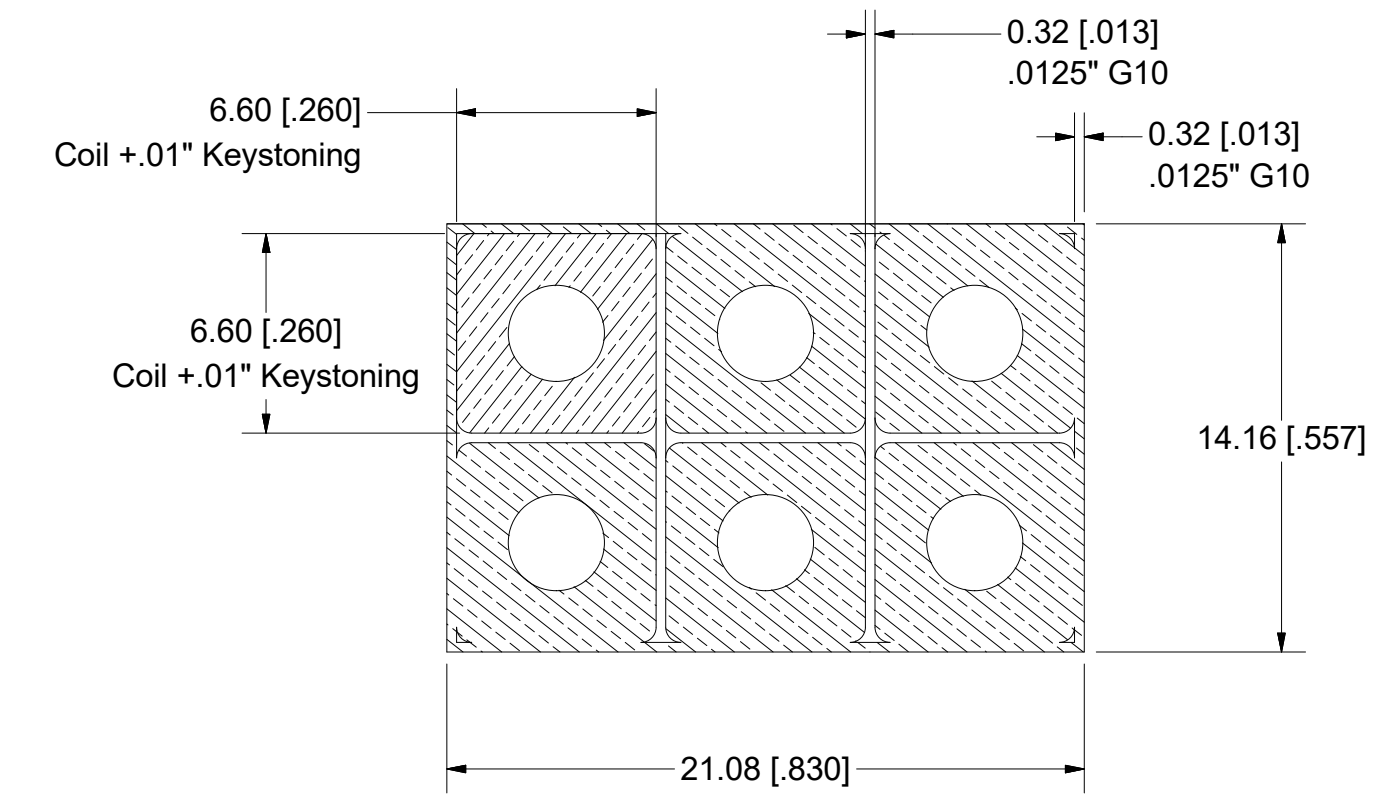
ITEM	DWG. NO.	DESCRIPTION	G1	G2	G3	REMARKS	REV.
			QUANTITY				
PRINT DISTR.	7207-014	PLOT DATE: 6/20/2019 CAD FILE NAME: 7207-014.idw					
CR-1	7207-014 SH. NO. 7 OF 16	UNLESS OTHERWISE SPECIFIED: DIMENSIONS ARE IN MILLIMETERS. TOLERANCES ON: X ± .5 XX ± .2 XXX ± .1 ANGLES ± 0.5° ALL SURFACES $\sqrt{R}$					
REV.		Cornell Laboratory for Accelerator-based ScienceS and Education (CLASSE)					
		Septum 2 Septum Middle Block Details					
		CHECKED BY: D.Burke	DRAWN BY: J.Turco	DRAWN FOR: D.Burke	DATE: 12/10/2018	SCALE: D	7207-014 SH. NO. 7 OF 16
		APPROVED BY: D.Burke					

THESE DRAWINGS, WHICH CONTAIN PROPRIETARY INFORMATION, ARE THE PROPERTY OF CORNELL UNIVERSITY. USE OF THESE DRAWINGS BEYOND THE INTENDED PURPOSE IN SUPPORT OF OUR RESEARCH AS DESCRIBED AND FUNDED BY OUR SPONSORING AGENCIES MUST BE NEGOTIATED AND APPROVED IN ADVANCE BY CORNELL UNIVERSITY.

REVISIONS				
SYM	ZONE	DESCRIPTION	DATE	APP
		Initial Release	5/31/19	JLT



4 Septum 2 - Coils  
 FILE NAME: 7207-014  
 SHEET NO.: 8  
 DFT. SCALE: 0.5  
 MATERIAL:  
 QTY:  
 NOTES:



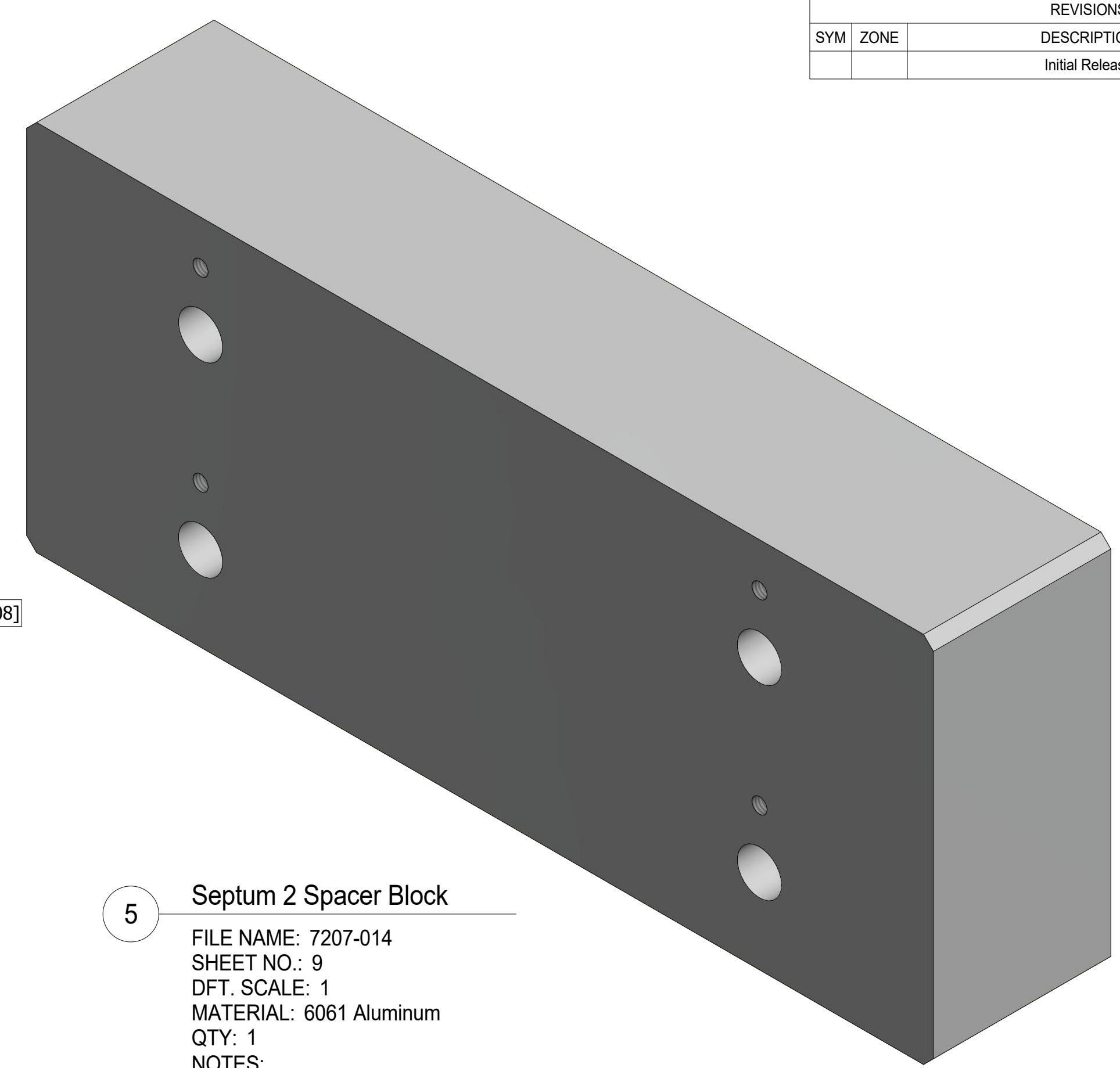
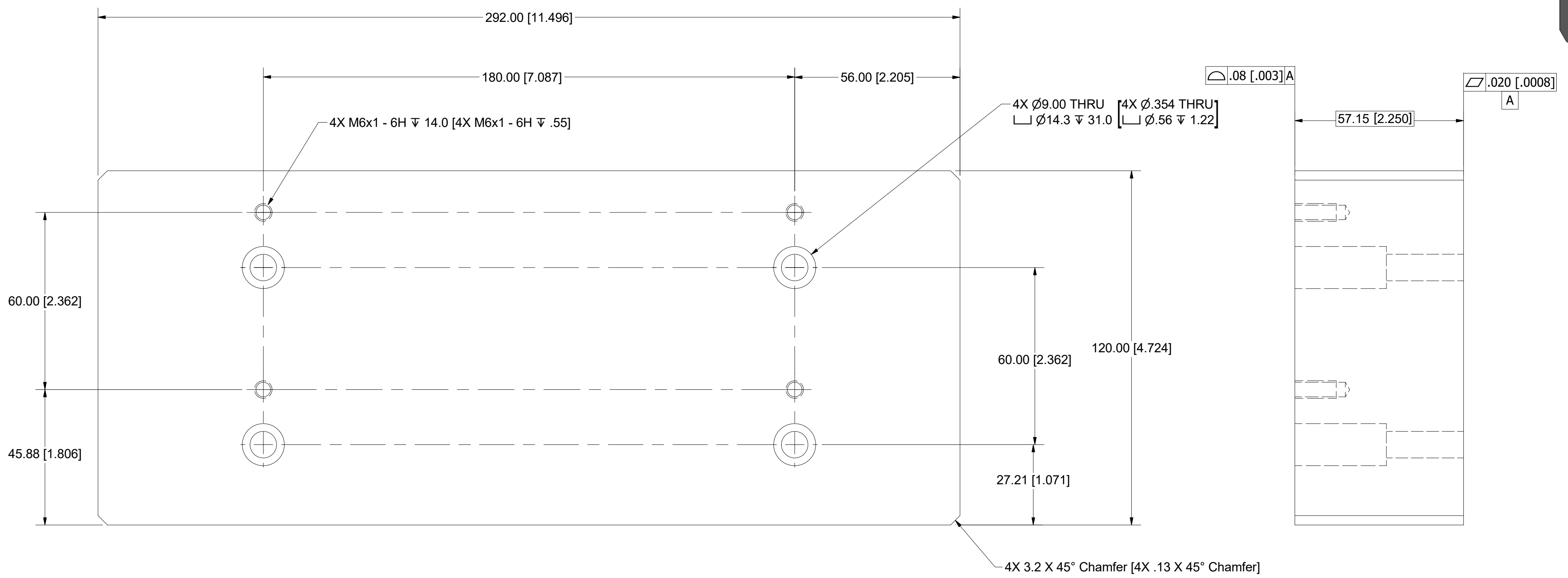
SECTION D-D  
 SCALE 4 : 1

D	PRINT	ITEM	DWG. NO.	DESCRIPTION	G1	G2	G3	REMARKS	REV.
	DISTR.	CR-1			QUANTITY				
7207-014		PLOT DATE: 6/20/2019		Cornell Laboratory for Accelerator-based ScienceS and Education (CLASSE)					
SH. NO. 8 OF 16		CAD FILE NAME: 7207-014.idw							
REV.		UNLESS OTHERWISE SPECIFIED:		Septum 2 Coil Details					
		DIMENSIONS ARE IN MILLIMETERS.		DRAWN BY		DRAWN FOR		DATE	
		TOLERANCES ON:		J.Turco		D.Burke		12/10/2018	
		X ± .5		SCALE		D		7207-014	
		XX ± .2		REV.				SH. NO. 8 OF 16	
		XXX ± .1		3		2		1	
		ANGLES ± 0.5°							
		ALL SURFACES $\sqrt{R}$							
		CHECKED BY: D.Burke							
		APPROVED BY: D.Burke							

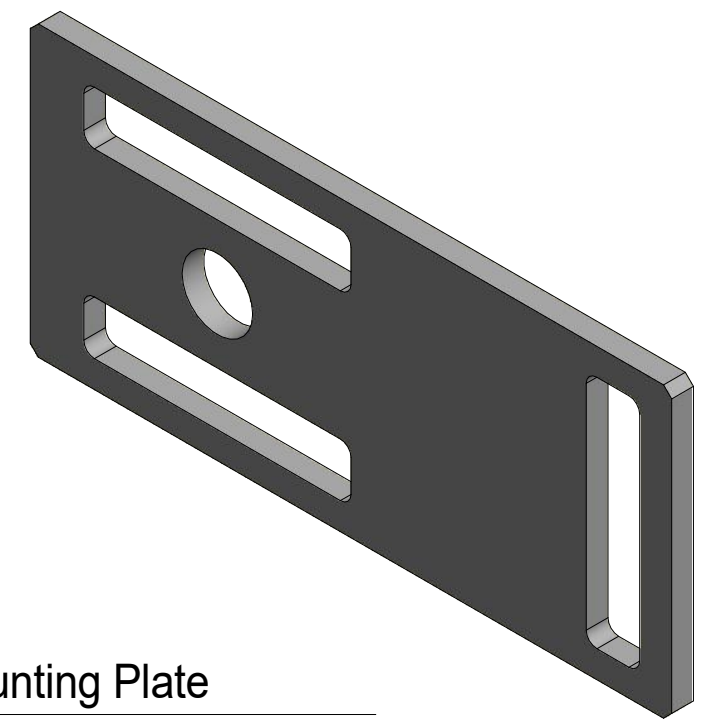
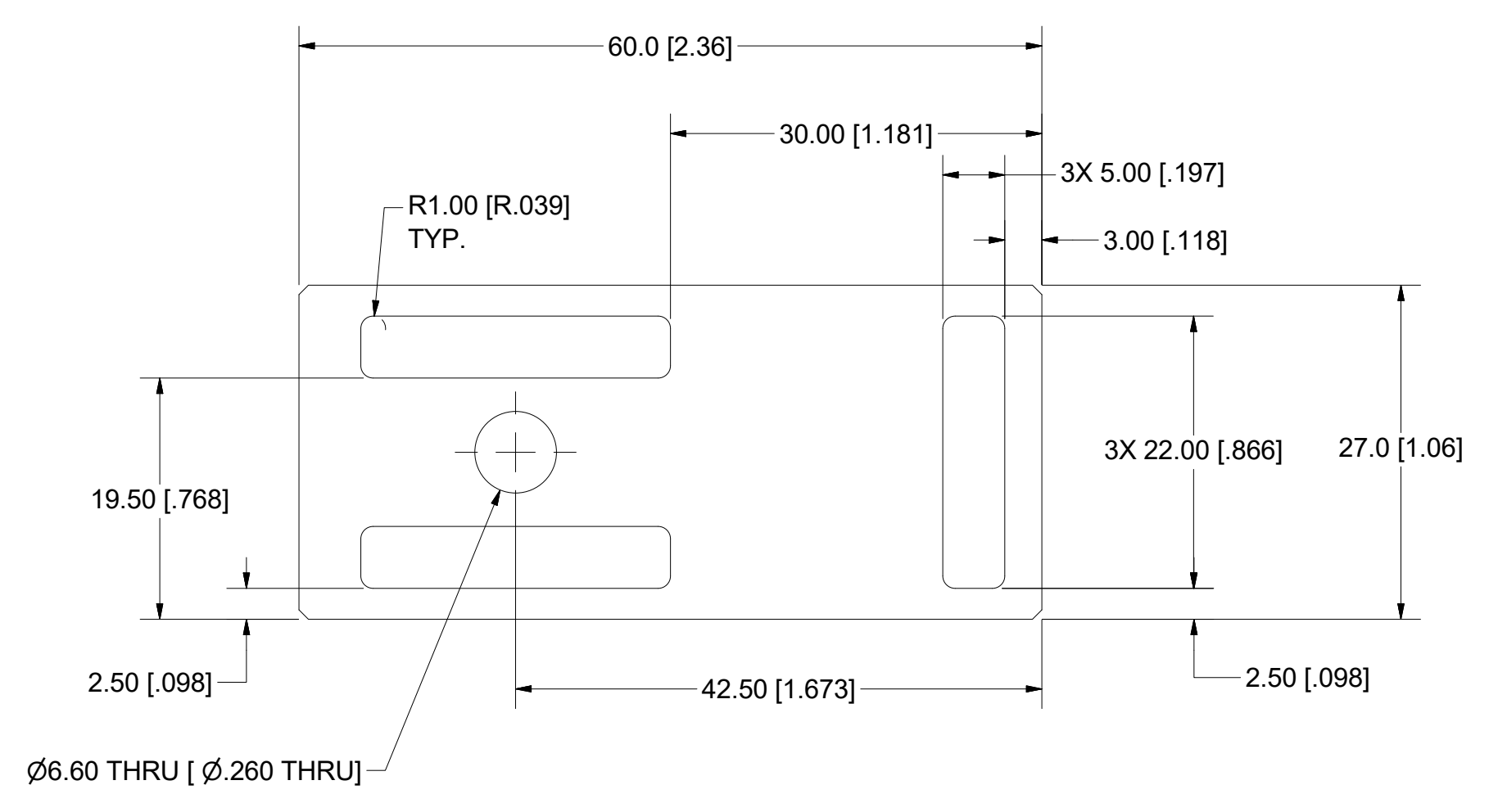
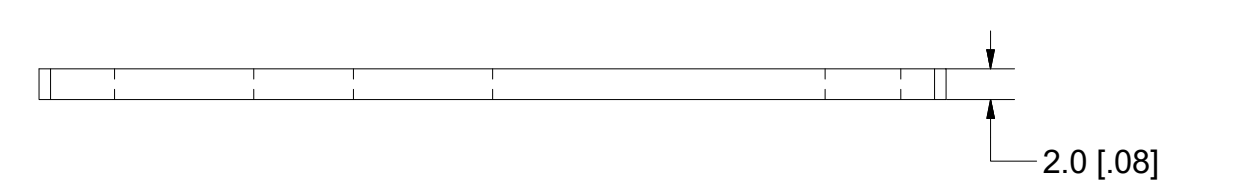
THESE DRAWINGS, WHICH CONTAIN PROPRIETARY INFORMATION, ARE THE PROPERTY OF CORNELL UNIVERSITY. USE OF THESE DRAWINGS BEYOND THE INTENDED PURPOSE IN SUPPORT OF OUR RESEARCH AS DESCRIBED AND FUNDED BY OUR SPONSORING AGENCIES MUST BE NEGOTIATED AND APPROVED IN ADVANCE BY CORNELL UNIVERSITY.



REVISIONS				
SYM	ZONE	DESCRIPTION	DATE	APP
		Initial Release	5/31/19	JLT



5 Septum 2 Spacer Block  
 FILE NAME: 7207-014  
 SHEET NO.: 9  
 DFT. SCALE: 1  
 MATERIAL: 6061 Aluminum  
 QTY: 1  
 NOTES:

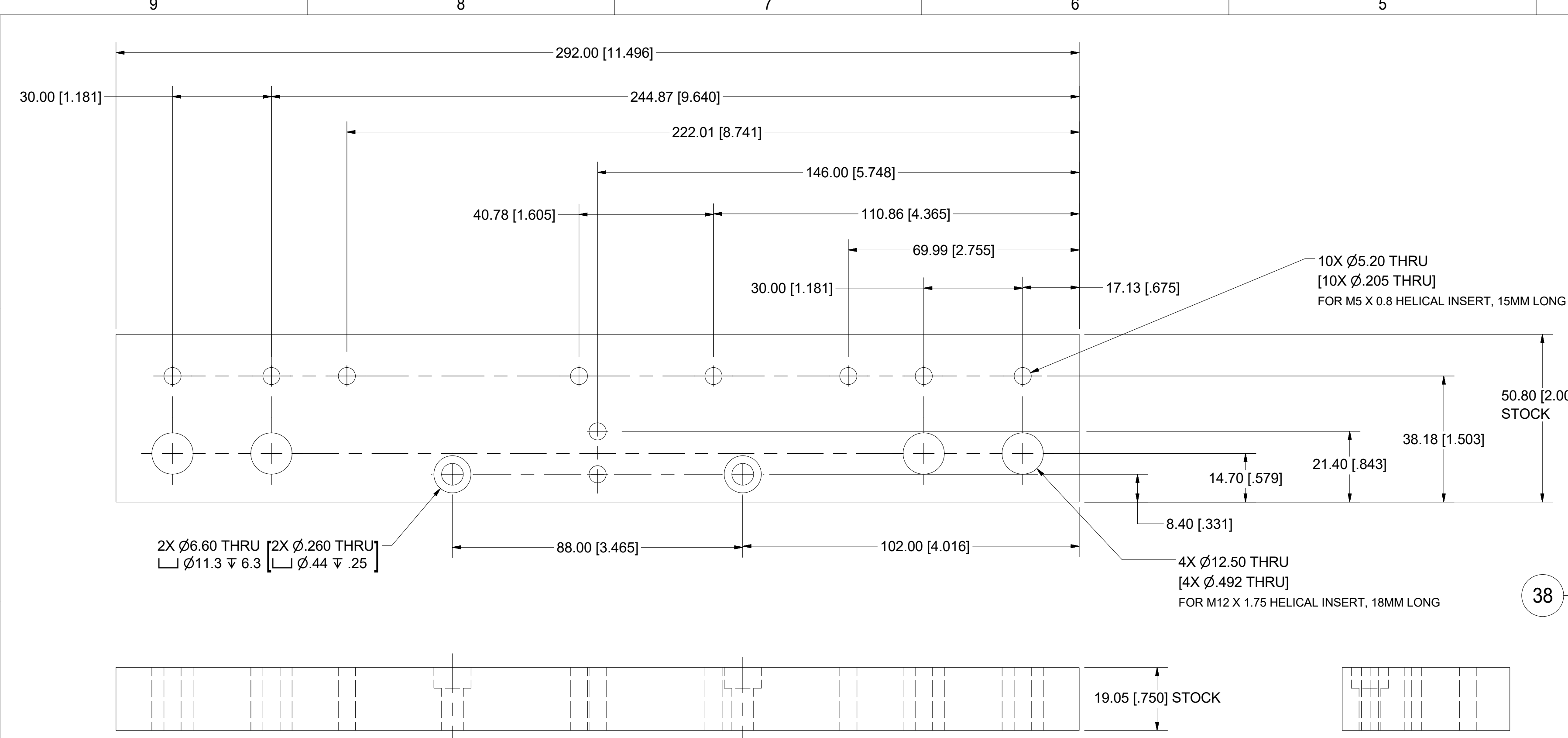


6 Band Mounting Plate  
 FILE NAME: 7207-014  
 SHEET NO.: 9  
 DFT. SCALE: 2  
 MATERIAL: 316 Stainless Steel  
 QTY: 4  
 NOTES:

THESE DRAWINGS, WHICH CONTAIN PROPRIETARY INFORMATION, ARE THE PROPERTY OF CORNELL UNIVERSITY. USE OF THESE DRAWINGS BEYOND THE INTENDED PURPOSE IN SUPPORT OF OUR RESEARCH AS DESCRIBED AND FUNDED BY OUR SPONSORING AGENCIES MUST BE NEGOTIATED AND APPROVED IN ADVANCE BY CORNELL UNIVERSITY.

REV	PRINT DISTR.	ITEM	DWG. NO.	DESCRIPTION	G1	G2	G3	REMARKS	REV.
					QUANTITY				
D		CR-1	7207-014	PLOT DATE: 6/20/2019 CAD FILE NAME: 7207-014.idw					
				UNLESS OTHERWISE SPECIFIED: DIMENSIONS ARE IN MILLIMETERS. TOLERANCES ON: X ± .5 XX ± .2 XXX ± .1 ANGLES ± 0.5° ALL SURFACES 1/8					
				Cornell University Cornell Laboratory for Accelerator-based ScienceS and Education (CLASSE)					
				Septum 2 Spacer Block and Band Mntg Plate Details					
				CHECKED BY: D.Burke APPROVED BY: D.Burke					
				DRAWN BY: J.Turco DRAWN FOR: D.Burke					
				DATE: 12/10/2018					
				SCALE: D					
				7207-014 SH. NO. 9 OF 16					

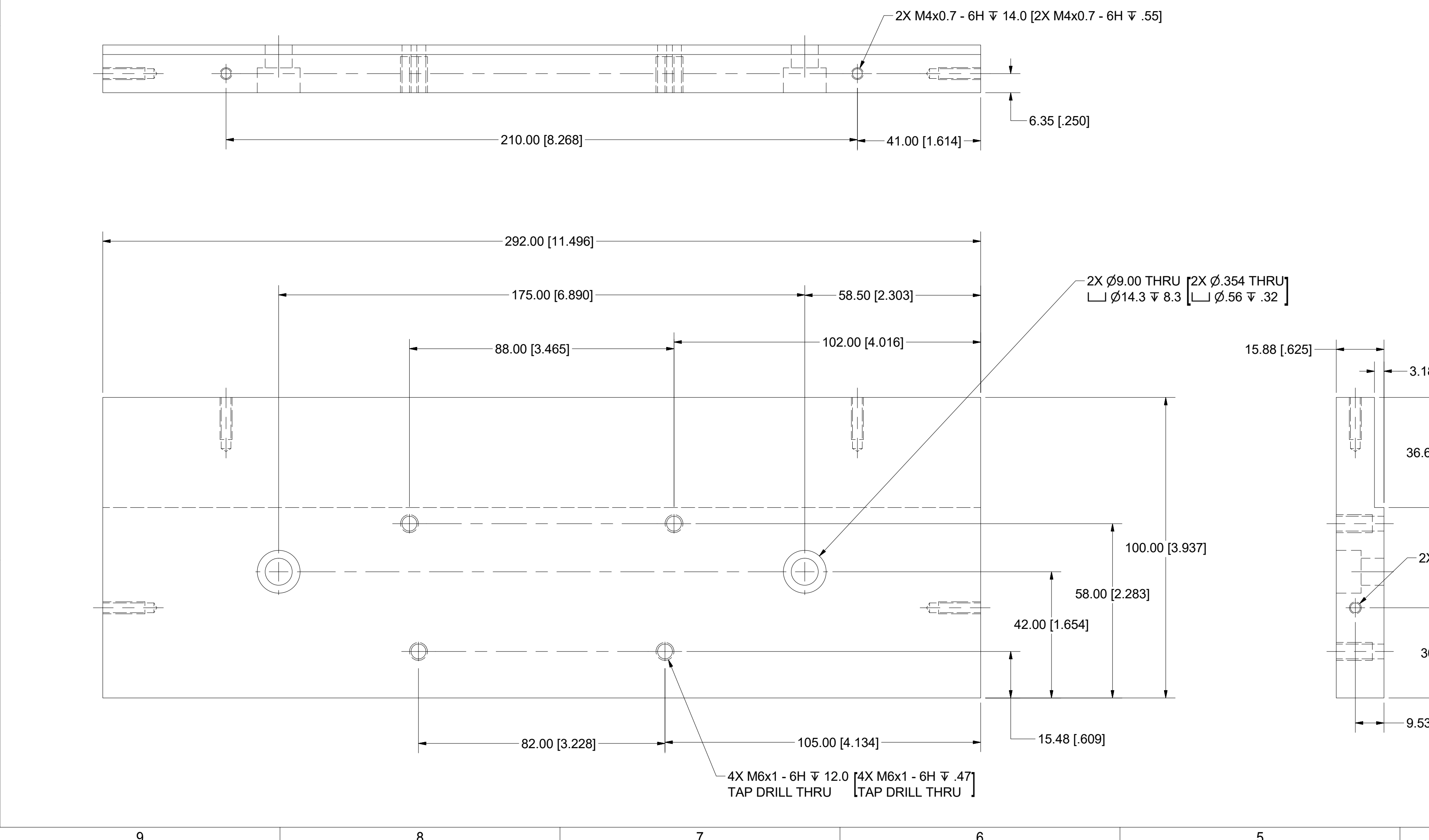
REVISIONS				
SYM	ZONE	DESCRIPTION	DATE	APP
		Initial Release	5/31/19	JLT
A		Added 4 more holes for Helical Inserts. (JLT)	6/10/19	DCB



**38** Insulation Block  
 FILE NAME: 7207-014  
 SHEET NO.: 10  
 DFT. SCALE: 1  
 MATERIAL: PEEK  
 QTY: 1  
 NOTES:

**17** Insulation Block Assy  
 FILE NAME: 7207-014  
 SHEET NO.: 10  
 DFT. SCALE: 1  
 MATERIAL: AS NOTED  
 QTY: 1  
 NOTES:

Parts List					
40	PURCHASED	Standard Helical Insert M5x0.8 15mm, SST	10		McMaster-Carr #91732A186
39	PURCHASED	Standard Helical Insert M12x1.75 18mm, SST	4		McMaster-Carr #91732A266
38	SHEET 10	Insulation Block	1		CLASSE



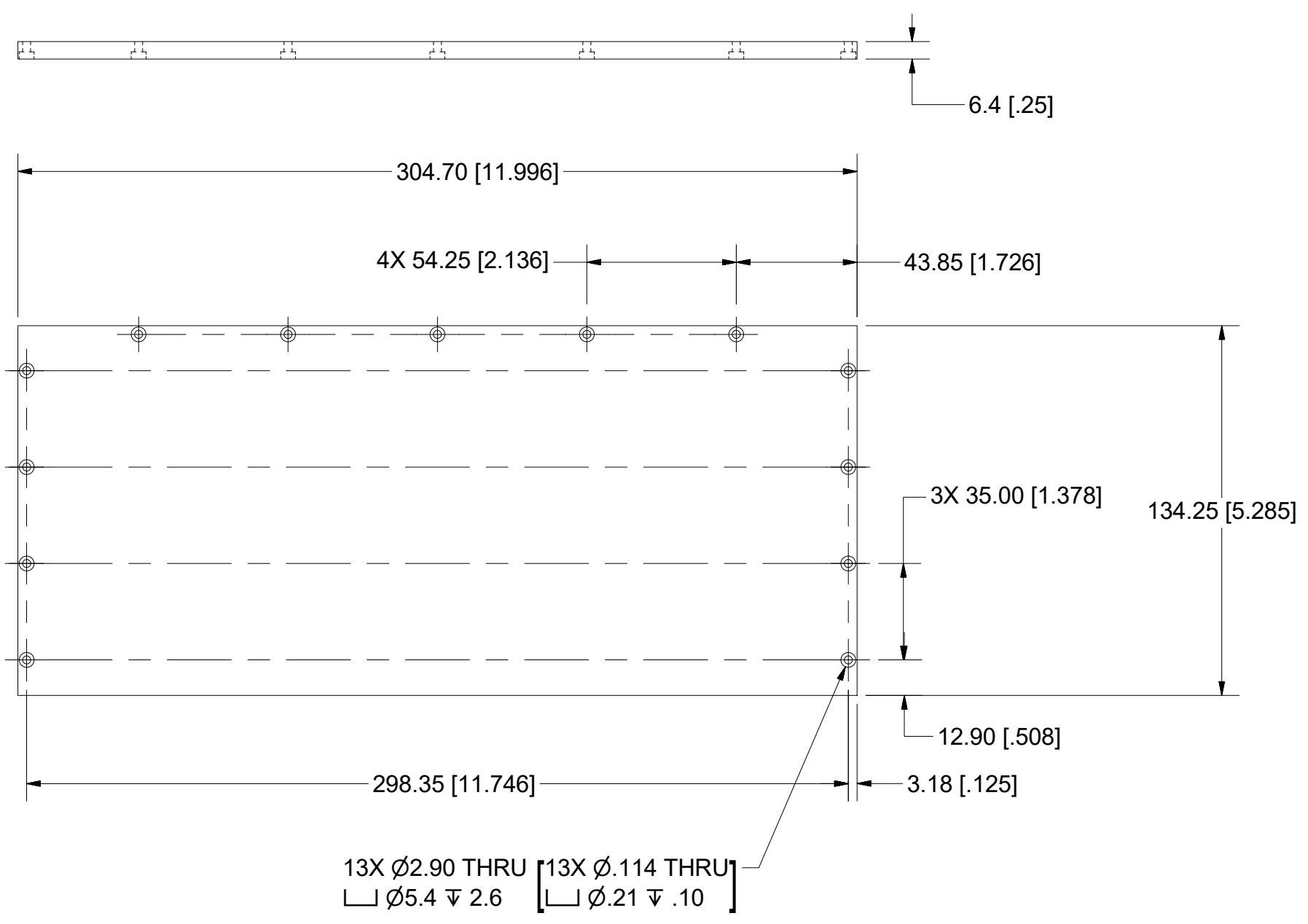
**16** Hydraulic/Electrical Mounting Plate  
 FILE NAME: 7207-014  
 SHEET NO.: 10  
 DFT. SCALE: 1  
 MATERIAL: Aluminum 6061  
 QTY: 1  
 NOTES:

THESE DRAWINGS, WHICH CONTAIN PROPRIETARY INFORMATION, ARE THE PROPERTY OF CORNELL UNIVERSITY. USE OF THESE DRAWINGS BEYOND THE INTENDED PURPOSE IN SUPPORT OF OUR RESEARCH AS DESCRIBED AND FUNDED BY OUR SPONSORING AGENCIES MUST BE NEGOTIATED AND APPROVED IN ADVANCE BY CORNELL UNIVERSITY.

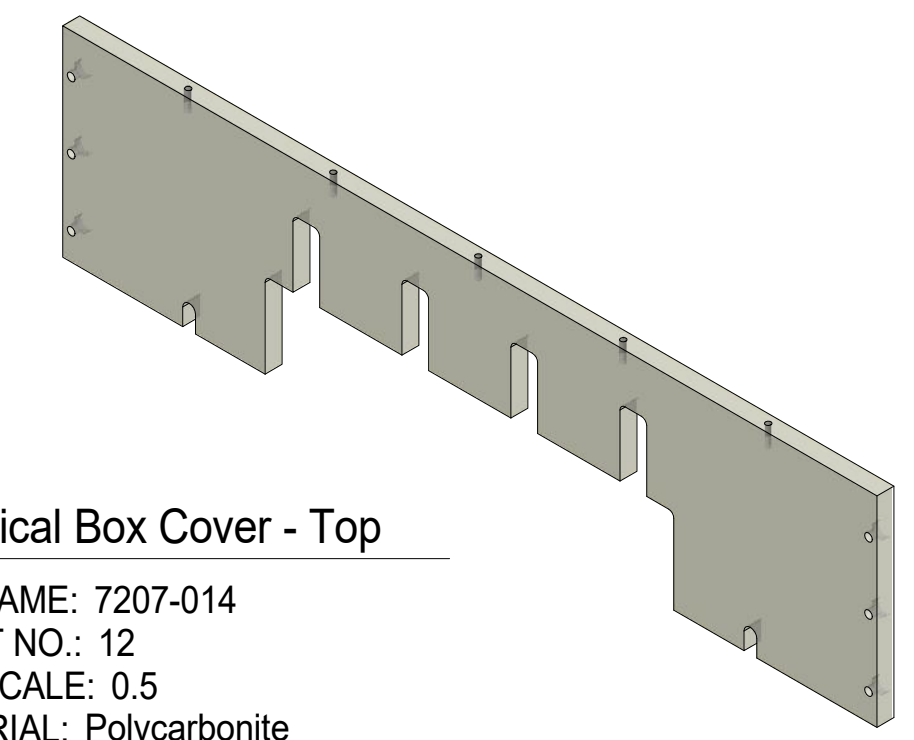
ITEM	DWG. NO.	DESCRIPTION	G1	G2	G3	REMARKS	REV.	
			QUANTITY					
<b>D</b>	PRINT DISTR.	PLOT DATE: 6/20/2019 CAD FILE NAME: 7207-014.idw						
<b>7207-014</b> SH. NO. 10 OF 16	CR-1	UNLESS OTHERWISE SPECIFIED: DIMENSIONS ARE IN MILLIMETERS. TOLERANCES ON: X ± .5 XX ± .2 XXX ± .1 ANGLES ± 0.5° ALL SURFACES $\sqrt{R}$				<b>Cornell Laboratory for Accelerator-based ScienceS and Education (CLASSE)</b>  <b>Septum 2</b> <b>Hydraulic and Electrical Details</b>		
<b>A</b>	REV.	CHECKED BY: D.Burke APPROVED BY: D.Burke	DRAWN BY: J.Turco	DRAWN FOR: D.Burke	DATE: 12/10/2018	SCALE: <b>D</b>	<b>7207-014</b> SH. NO. 10 OF 16 <b>A</b>	



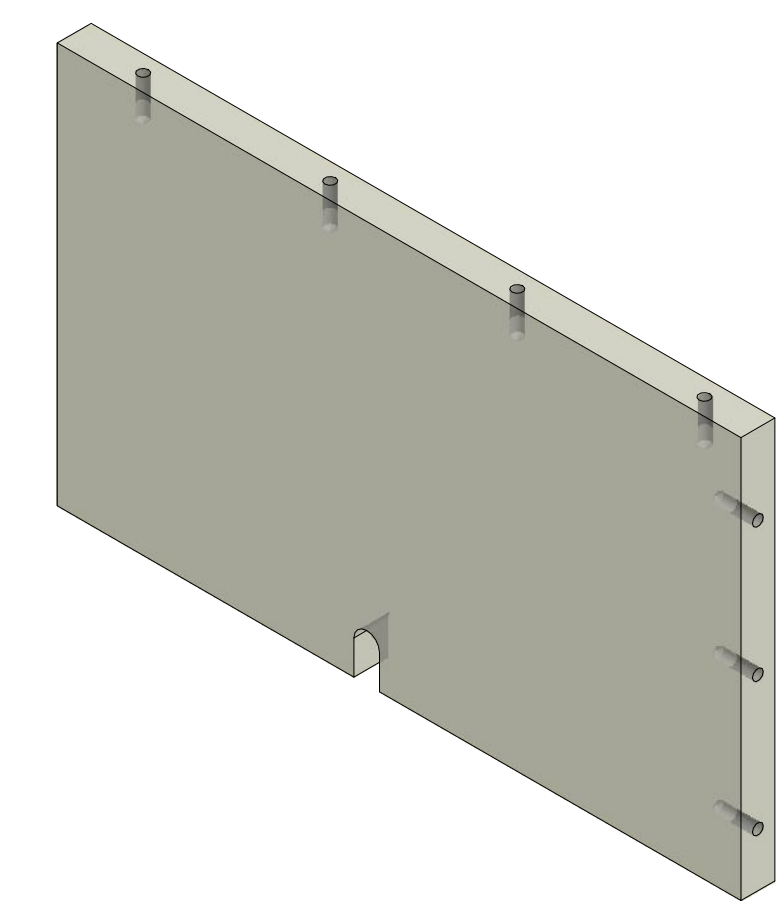
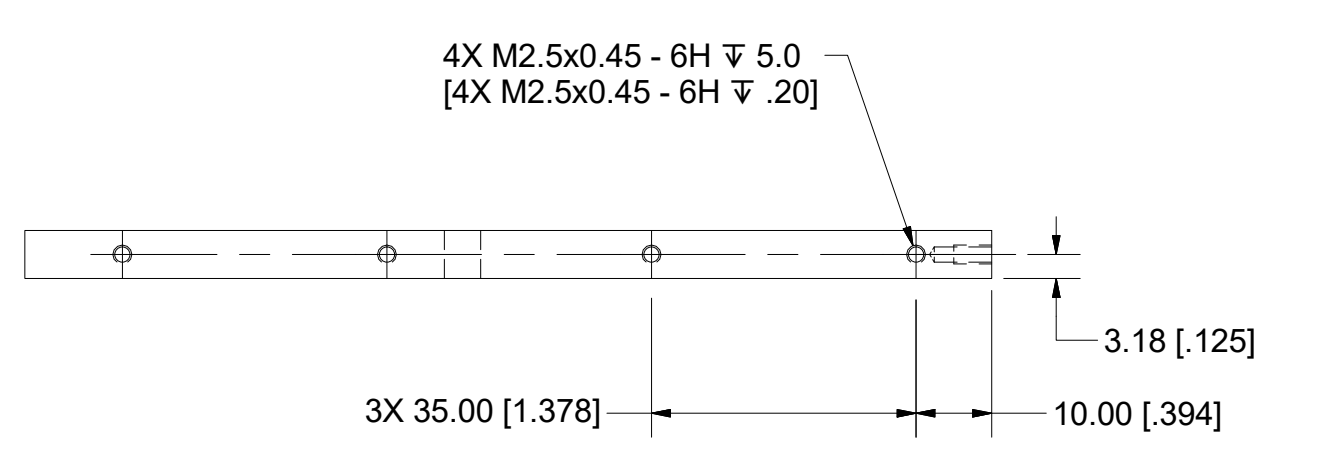
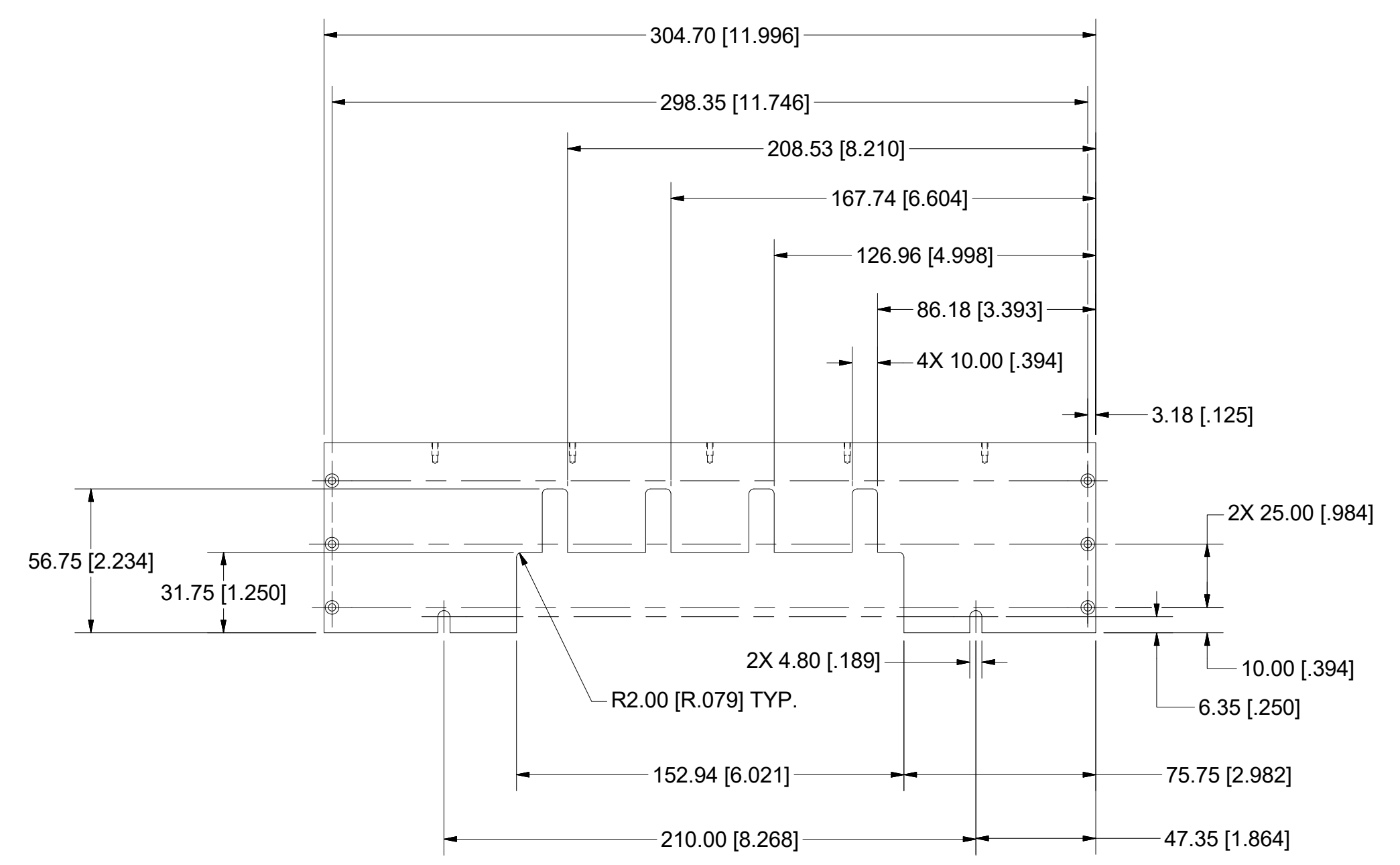
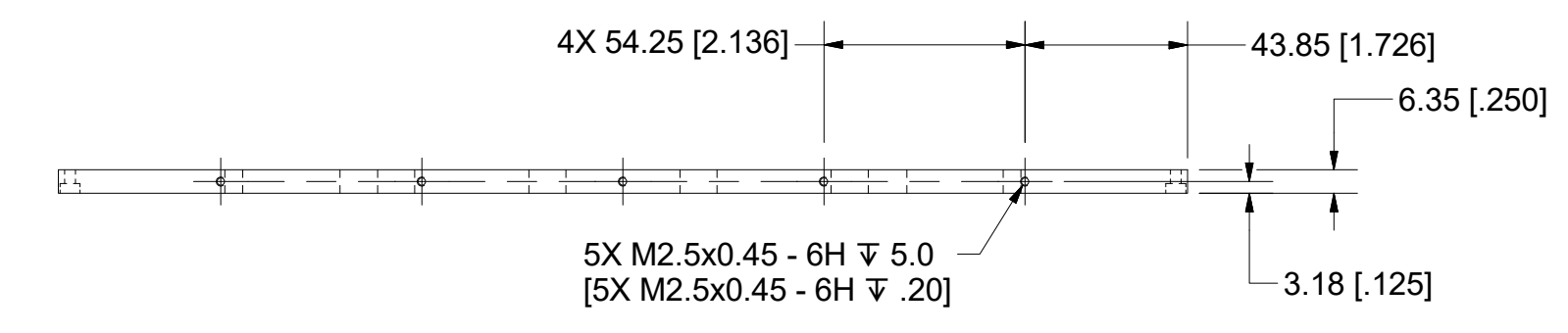
REVISIONS				
SYM	ZONE	DESCRIPTION	DATE	APP
		Initial Release	5/31/19	JLT



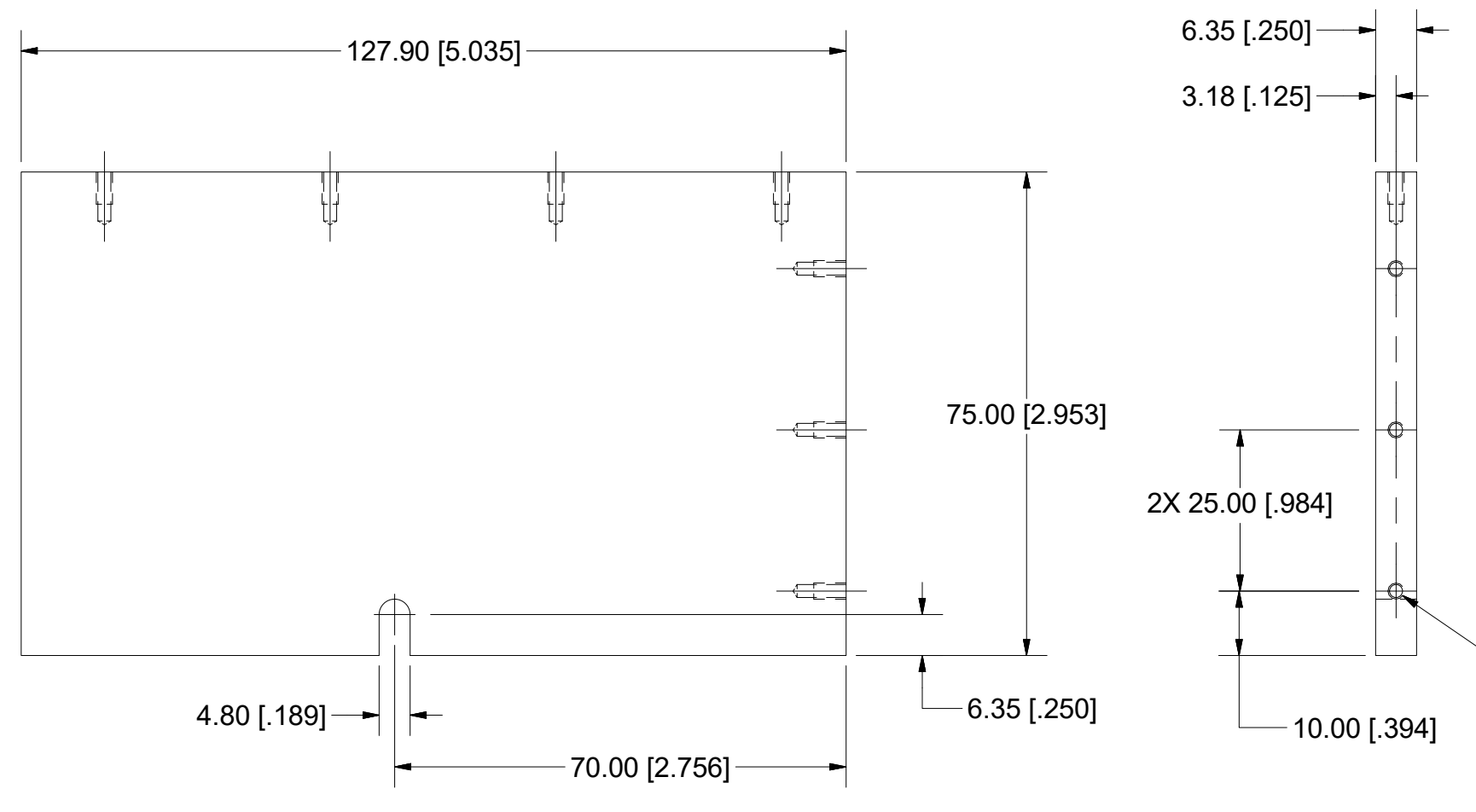
**36** Electrical Box Cover - Front  
 FILE NAME: 7207-014  
 SHEET NO.: 12  
 DFT. SCALE: 0.5  
 MATERIAL: Polycarbonate  
 QTY: 1  
 NOTES:



**34** Electrical Box Cover - Top  
 FILE NAME: 7207-014  
 SHEET NO.: 12  
 DFT. SCALE: 0.5  
 MATERIAL: Polycarbonate  
 QTY: 1  
 NOTES:



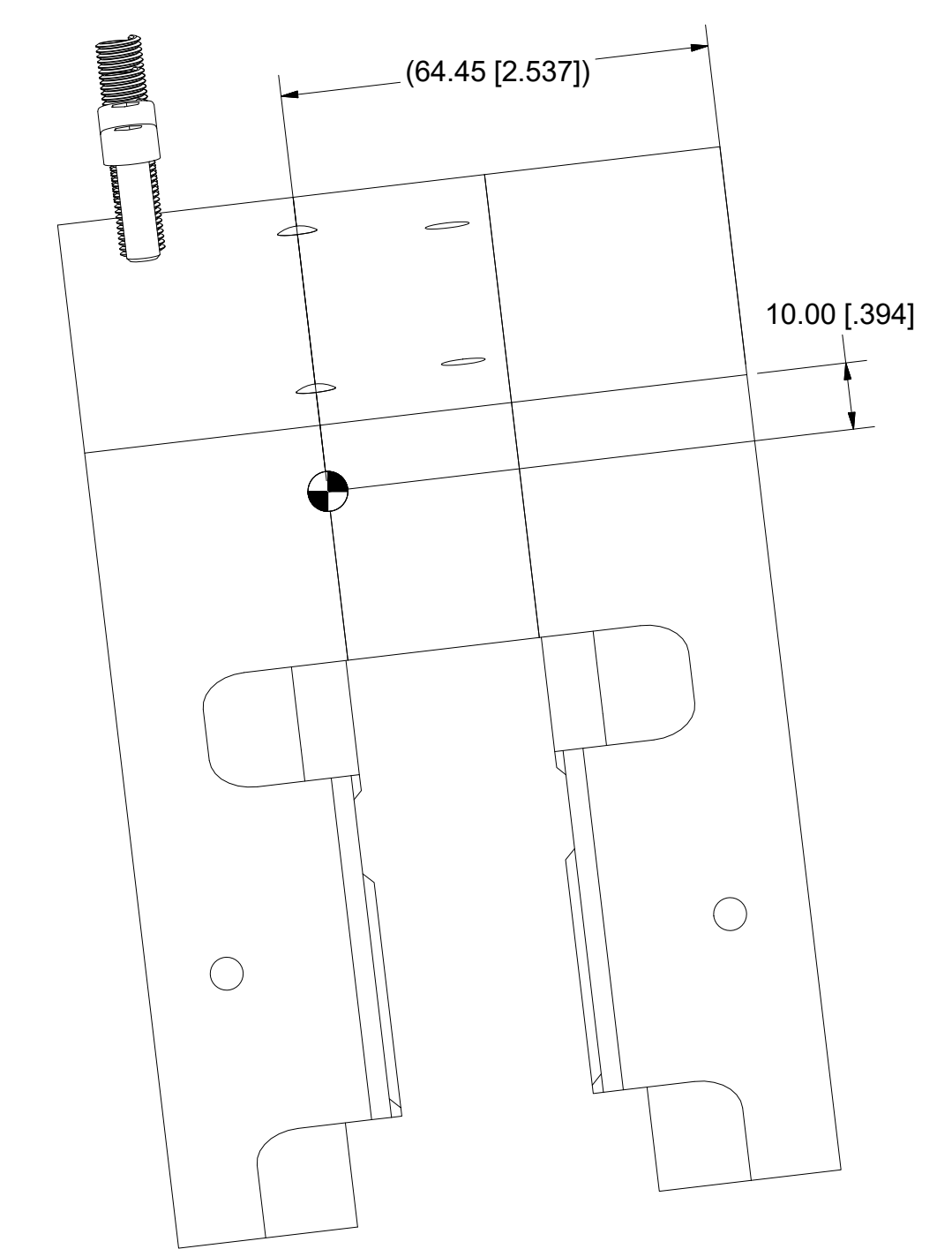
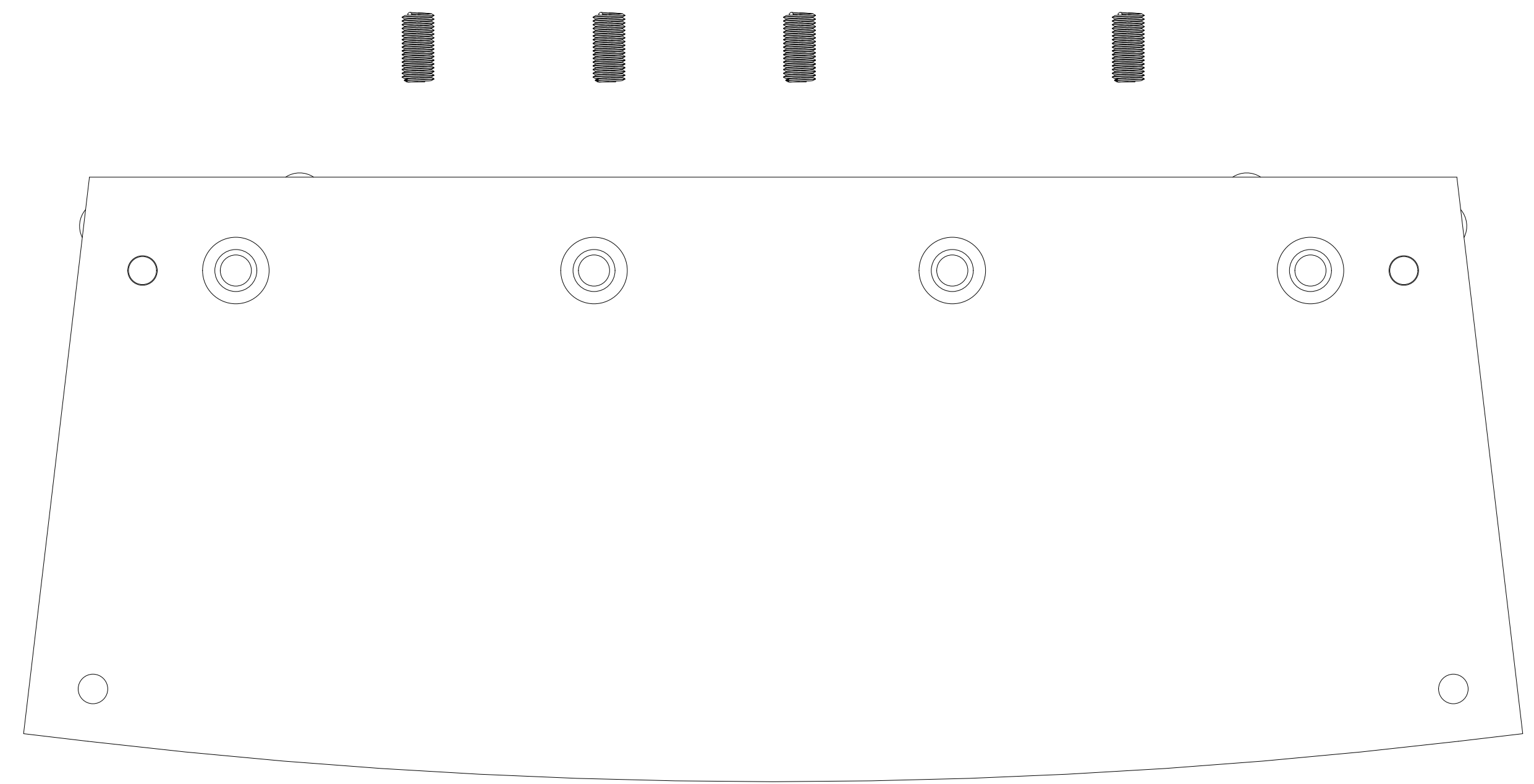
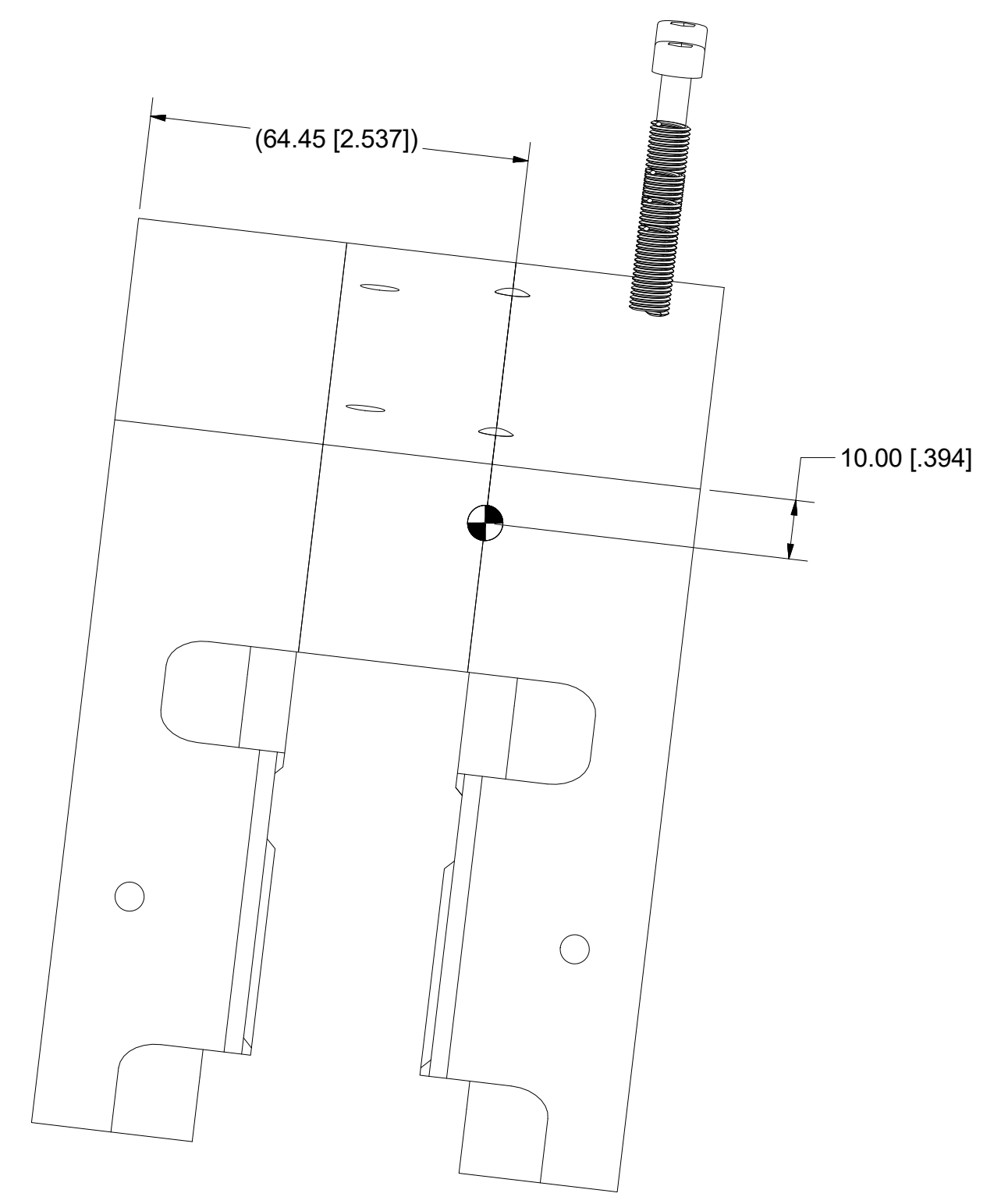
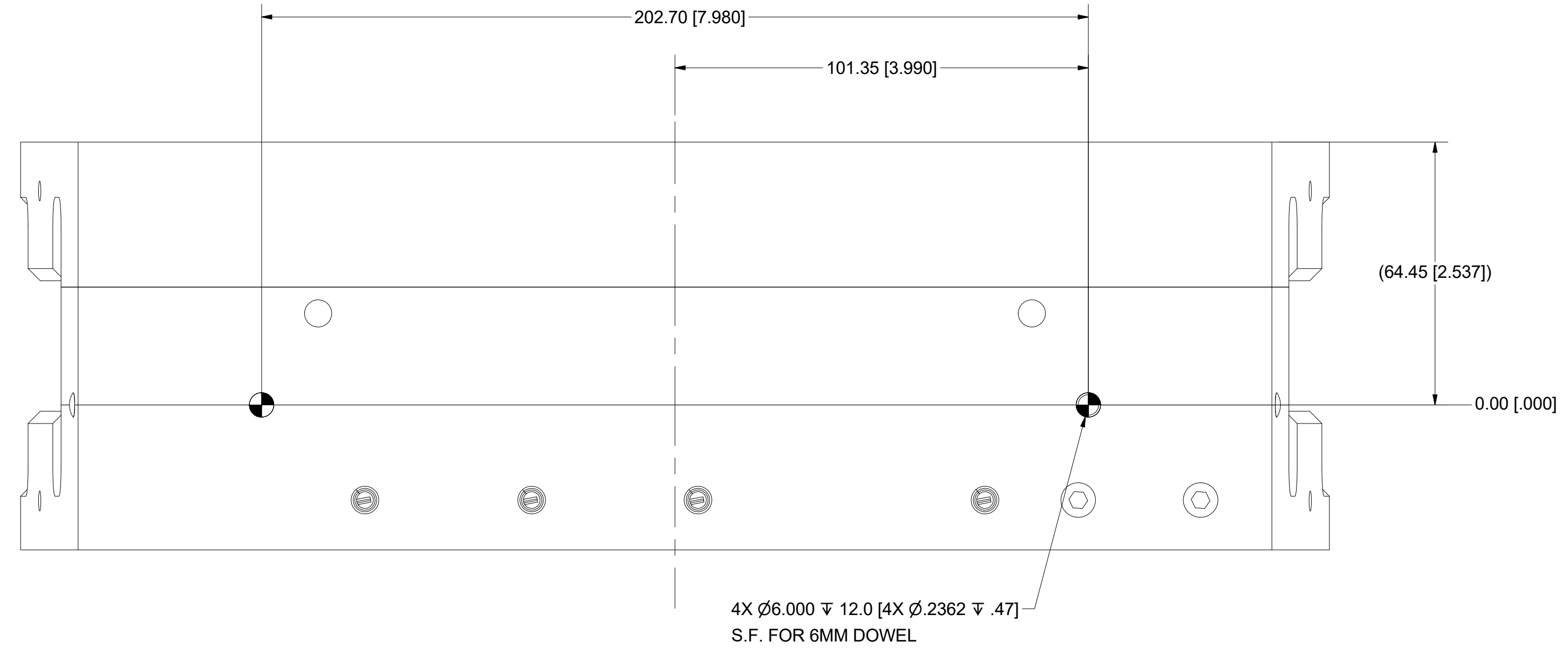
**35** Electrical Box Cover - Side  
 FILE NAME: 7207-014  
 SHEET NO.: 12  
 DFT. SCALE: 1  
 MATERIAL: Polycarbonate  
 QTY: 2  
 NOTES:



THESE DRAWINGS, WHICH CONTAIN PROPRIETARY INFORMATION, ARE THE PROPERTY OF CORNELL UNIVERSITY. USE OF THESE DRAWINGS BEYOND THE INTENDED PURPOSE IN SUPPORT OF OUR RESEARCH AS DESCRIBED AND FUNDED BY OUR SPONSORING AGENCIES MUST BE NEGOTIATED AND APPROVED IN ADVANCE BY CORNELL UNIVERSITY.

REV.	PRINT DISTR.	ITEM	DWG. NO.	DESCRIPTION	G1	G2	G3	REMARKS	REV.
					QUANTITY				
D				PLOT DATE: 6/20/2019 CAD FILE NAME: 7207-014.idw					
7207-014 SH. NO. 12 OF 16	CR-1			UNLESS OTHERWISE SPECIFIED: DIMENSIONS ARE IN MILLIMETERS. TOLERANCES ON: X ± 5 XX ± 2 XXX ± 1 ANGLES ± 0.5° ALL SURFACES 1/5	 Cornell Laboratory for Accelerator-based ScienceS and Education (CLASSE)				
				CHECKED BY: D.Burke APPROVED BY: D.Burke	DRAWN BY J.Turco	DRAWN FOR D.Burke	DATE 12/10/2018	SCALE D	7207-014 SH. NO. 12 OF 16

REVISIONS				
SYM	ZONE	DESCRIPTION	DATE	APP
		Initial Release	5/31/19	JLT

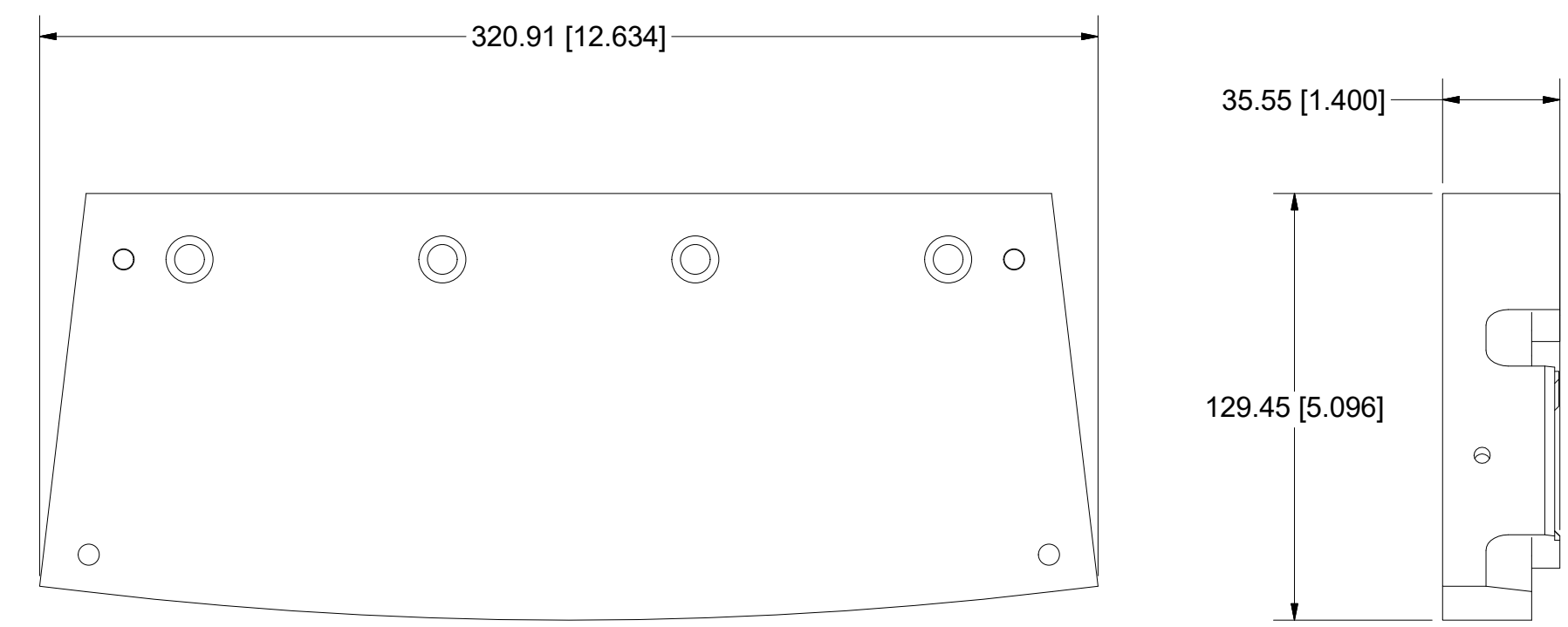


NOTE: ASSEMBLE ALL 3 PIECES WITH DOWELS AND BOLTS BEFORE MACHINING THESE 4 DOWEL HOLES. WILL PROVIDE HARDWARE.

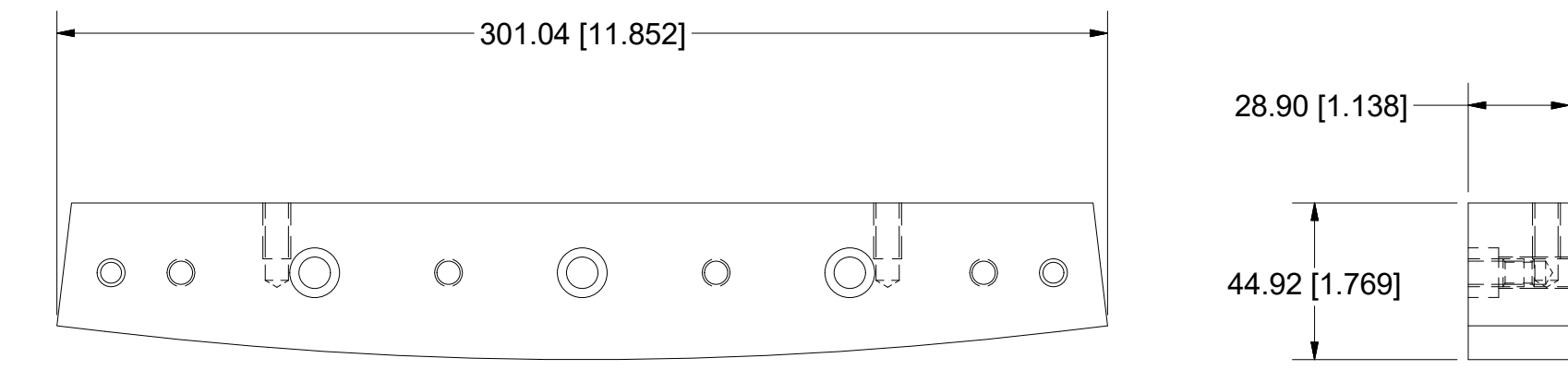
THESE DRAWINGS, WHICH CONTAIN PROPRIETARY INFORMATION, ARE THE PROPERTY OF CORNELL UNIVERSITY. USE OF THESE DRAWINGS BEYOND THE INTENDED PURPOSE IN SUPPORT OF OUR RESEARCH AS DESCRIBED AND FUNDED BY OUR SPONSORING AGENCIES MUST BE NEGOTIATED AND APPROVED IN ADVANCE BY CORNELL UNIVERSITY.

ITEM	DWG. NO.	DESCRIPTION	G1	G2	G3	REMARKS	REV.
			QUANTITY				
PRINT DISTR.	7207-014	PLOT DATE: 6/20/2019 CAD FILE NAME: 7207-014.idw					
CR-1	7207-014 SH. NO. 13 OF 16	UNLESS OTHERWISE SPECIFIED: DIMENSIONS ARE IN MILLIMETERS. TOLERANCES ON: X ± .5 XX ± .2 XXX ± .1 ANGLES ± 0.5° ALL SURFACES $\sqrt{R}$					
REV.		Cornell University Cornell Laboratory for Accelerator-based ScienceS and Education (CLASSE) Septum 2 Machining of Dowels					
		CHECKED BY: D.Burke APPROVED BY: D.Burke	DRAWN BY: J.Turco	DRAWN FOR: D.Burke	DATE: 12/10/2018	SCALE: D	7207-014 SH. NO. 13 OF 16

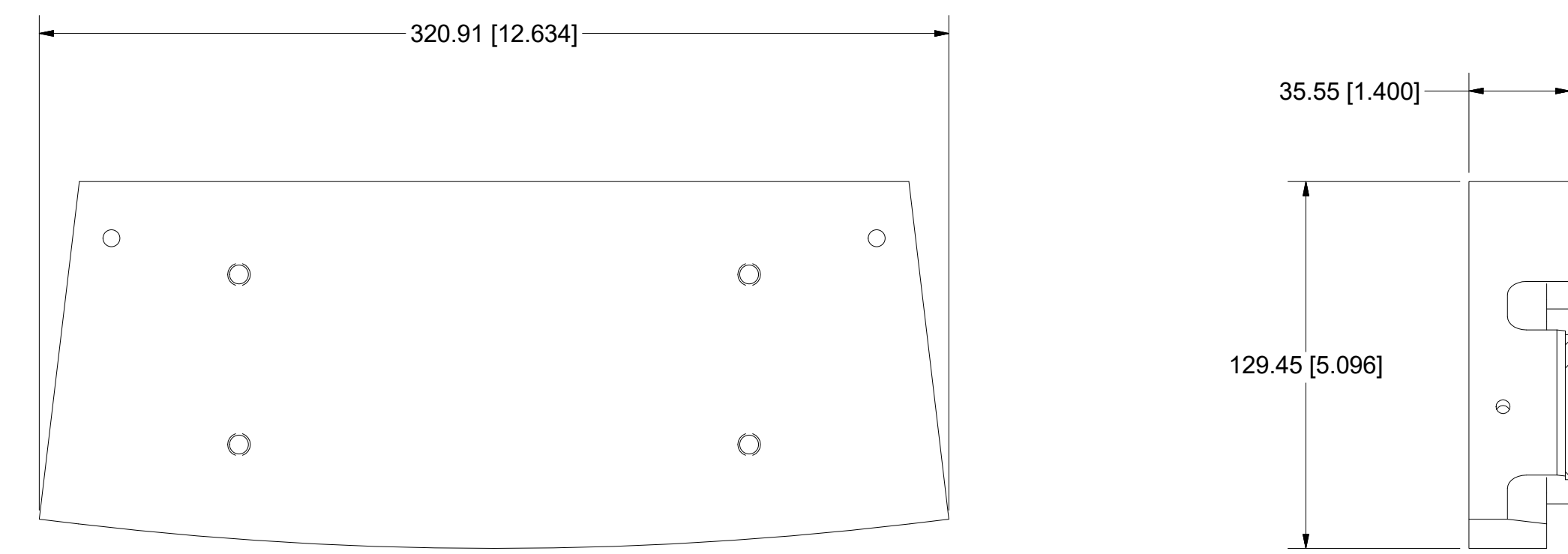
REVISIONS				
SYM	ZONE	DESCRIPTION	DATE	APP
		Initial Release	4/24/19	JLT



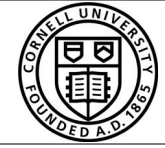
**1** Septum 2 Top  
 FILE NAME: 7207-014  
 SHEET NO.: 14  
 DFT. SCALE: 1:2  
 MATERIAL: Magnet Iron  
 QTY: 4  
 NOTES:



**2** Septum 2 Middle  
 FILE NAME: 7207-014  
 SHEET NO.: 14  
 DFT. SCALE: 1:2  
 MATERIAL: Magnet Iron  
 QTY: 4  
 NOTES:

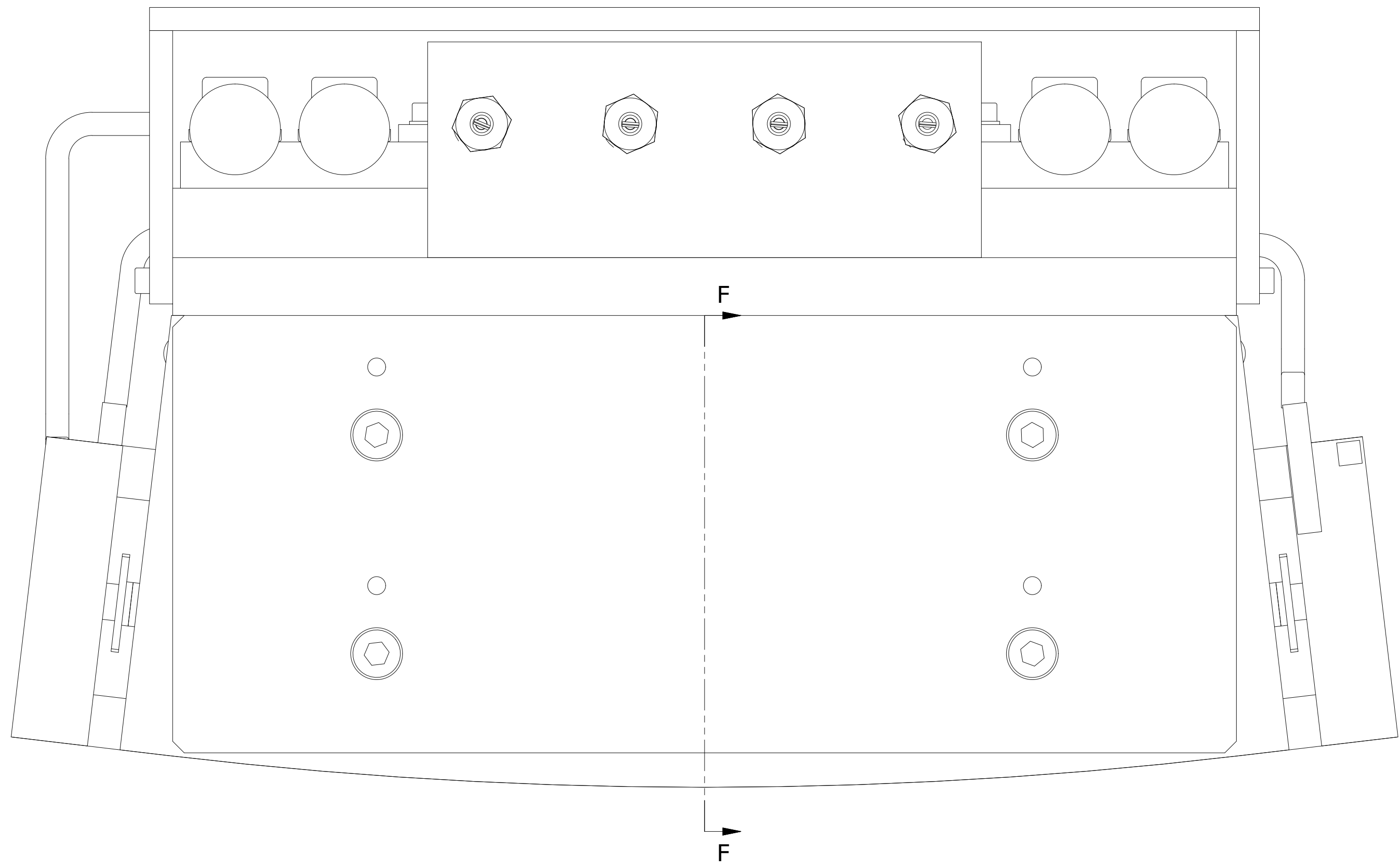
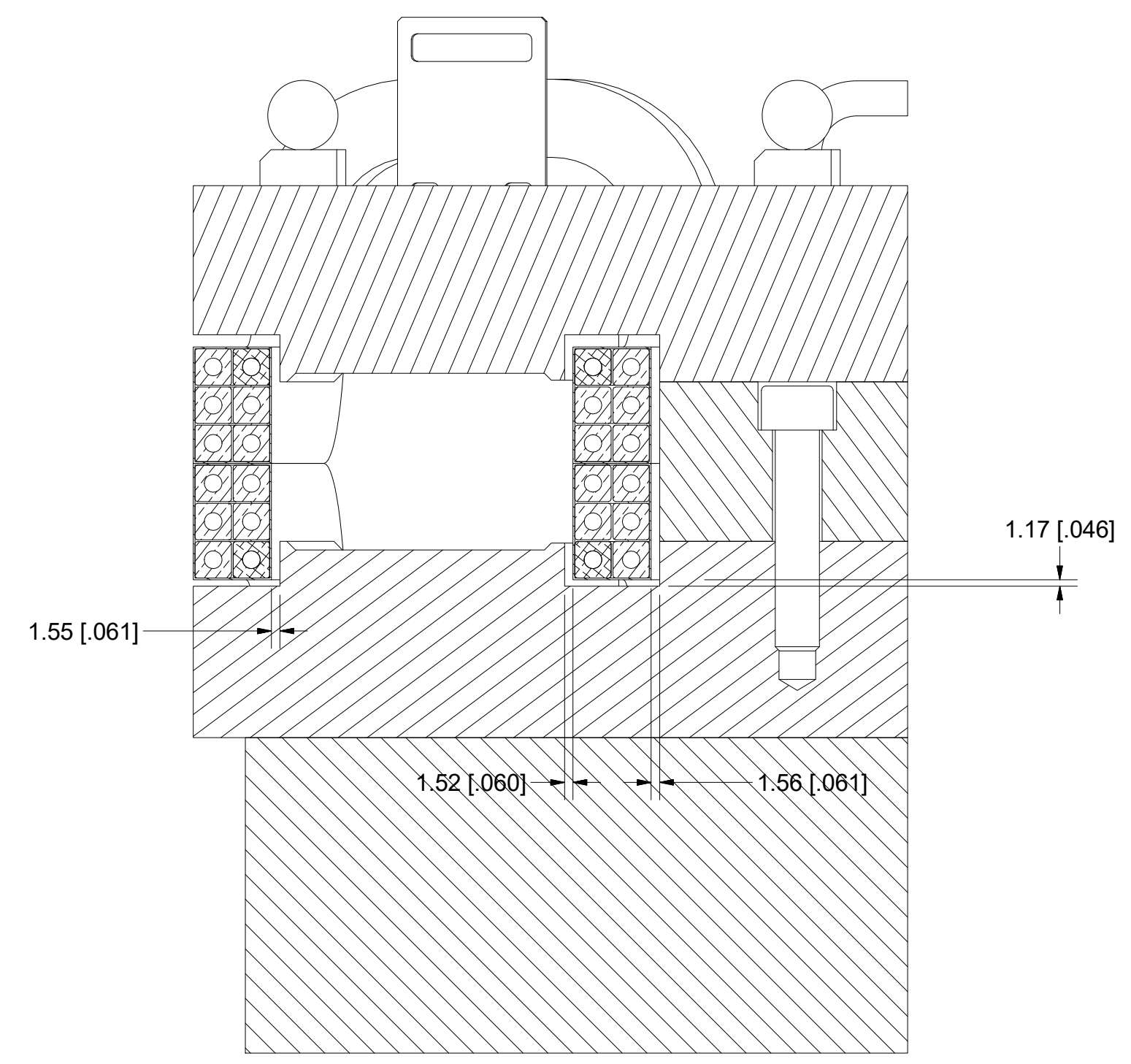


**3** Septum 2 Bottom  
 FILE NAME: 7207-014  
 SHEET NO.: 14  
 DFT. SCALE: 1:2  
 MATERIAL: Magnet Iron  
 QTY: 4  
 NOTES:

ITEM	DWG. NO.	DESCRIPTION	G1	G2	G3	REMARKS	REV.
			QUANTITY				
<b>D</b>	PRINT DISTR.	PLOT DATE: 6/20/2019 CAD FILE NAME: 7207-014.idw					
CR-1	UNLESS OTHERWISE SPECIFIED: DIMENSIONS ARE IN MILLIMETERS. TOLERANCES ON: X ± 5 XX ± 2 XXX ± 1 ANGLES ± 0.5° ALL SURFACES $\sqrt{R}$	 Cornell Laboratory for Accelerator-based ScienceS and Education (CLASSE) <b>Septum 2</b> Septum 2 Material Size					
7207-014 SH. NO. 14 OF 16	REV.						
	CHECKED BY: D.Burke	DRAWN BY: J.Turco	DRAWN FOR: D.Burke	DATE: 12/10/2018	SCALE: <b>D</b>	7207-014 SH. NO. 14 OF 16	REV.

THESE DRAWINGS, WHICH CONTAIN PROPRIETARY INFORMATION, ARE THE PROPERTY OF CORNELL UNIVERSITY. USE OF THESE DRAWINGS BEYOND THE INTENDED PURPOSE IN SUPPORT OF OUR RESEARCH AS DESCRIBED AND FUNDED BY OUR SPONSORING AGENCIES MUST BE NEGOTIATED AND APPROVED IN ADVANCE BY CORNELL UNIVERSITY.

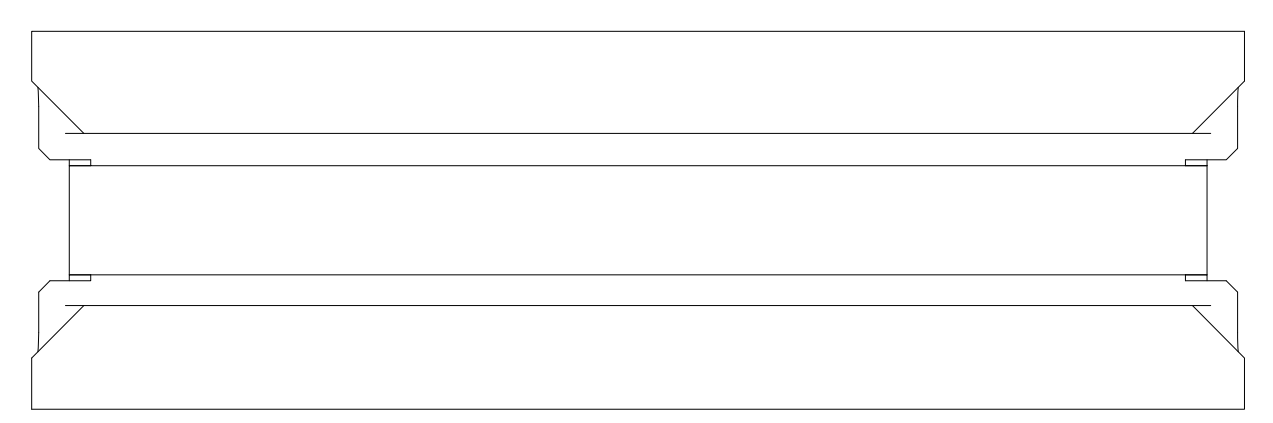
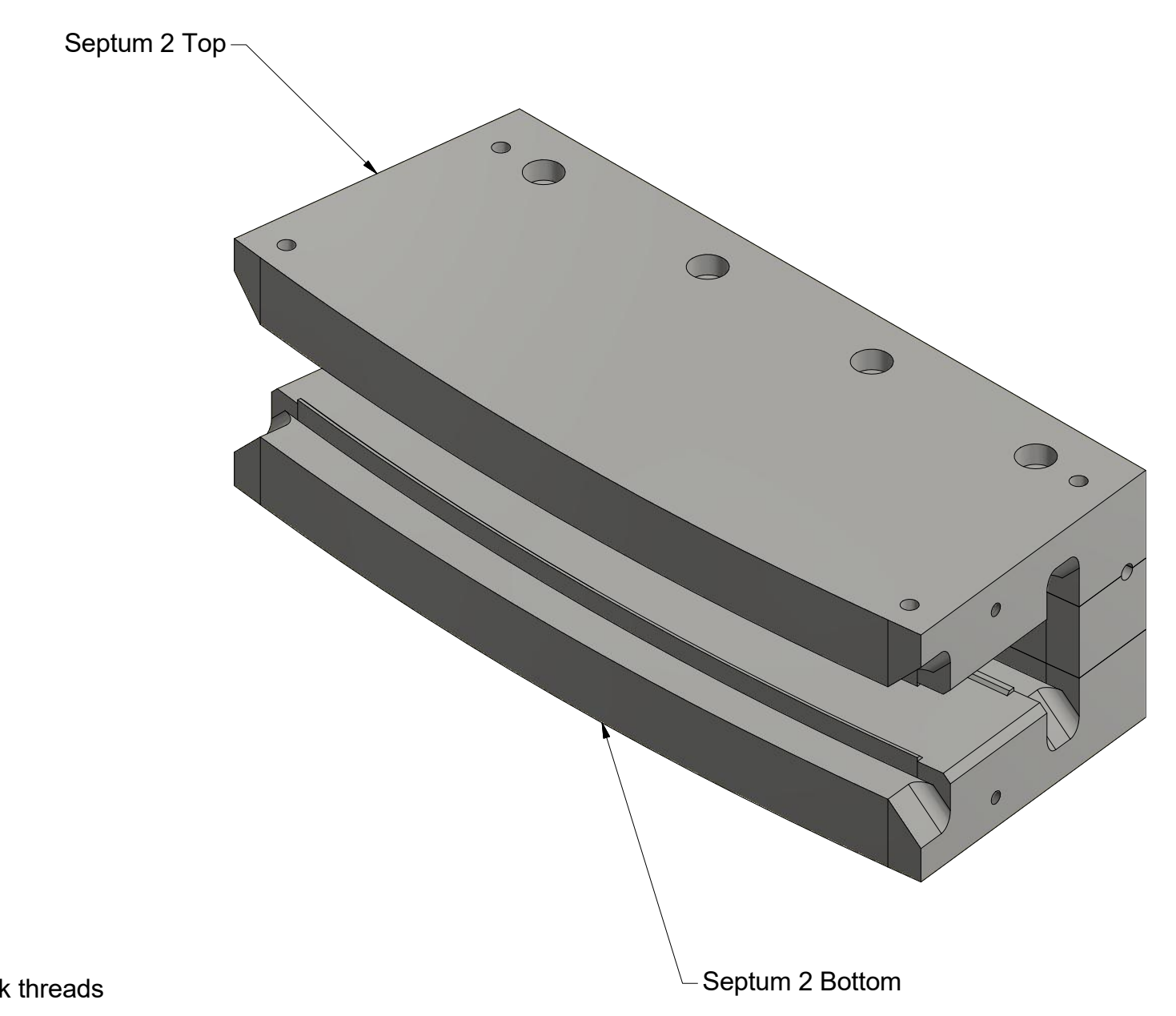
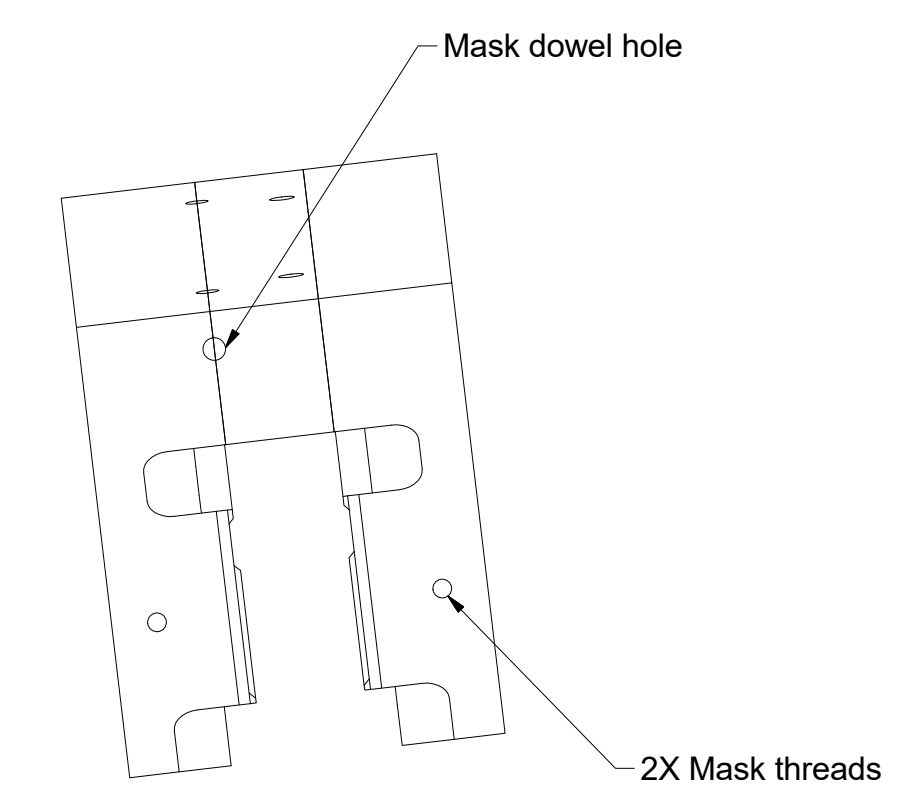
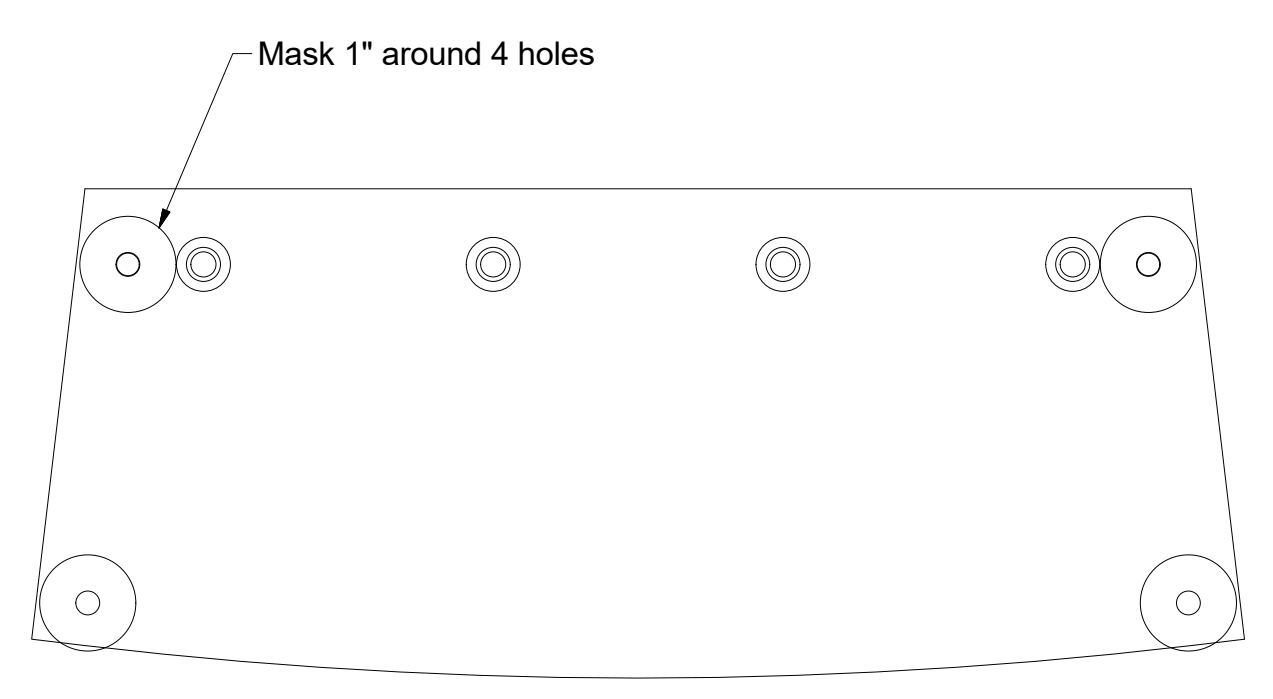
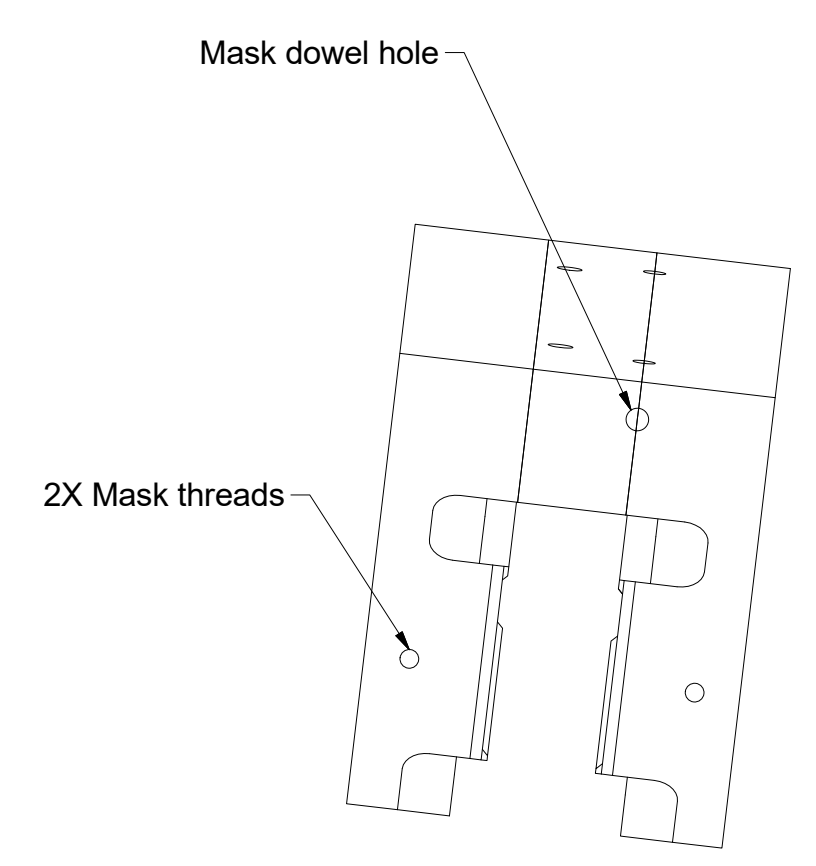
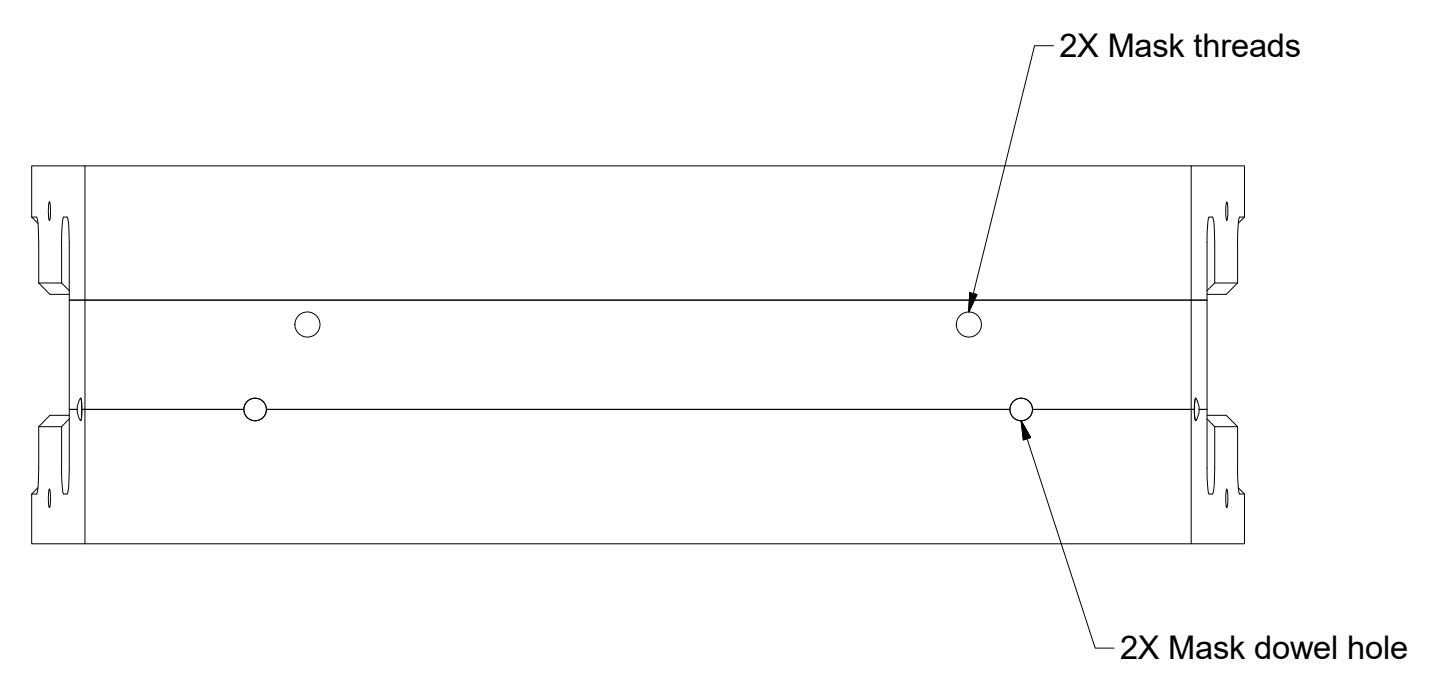
REVISIONS				
SYM	ZONE	DESCRIPTION	DATE	APP
		Initial Release	5/31/19	JLT
A		Added Sheet 16 for Magnet Powder Coating Details. (JLT)	6/20/19	DCB



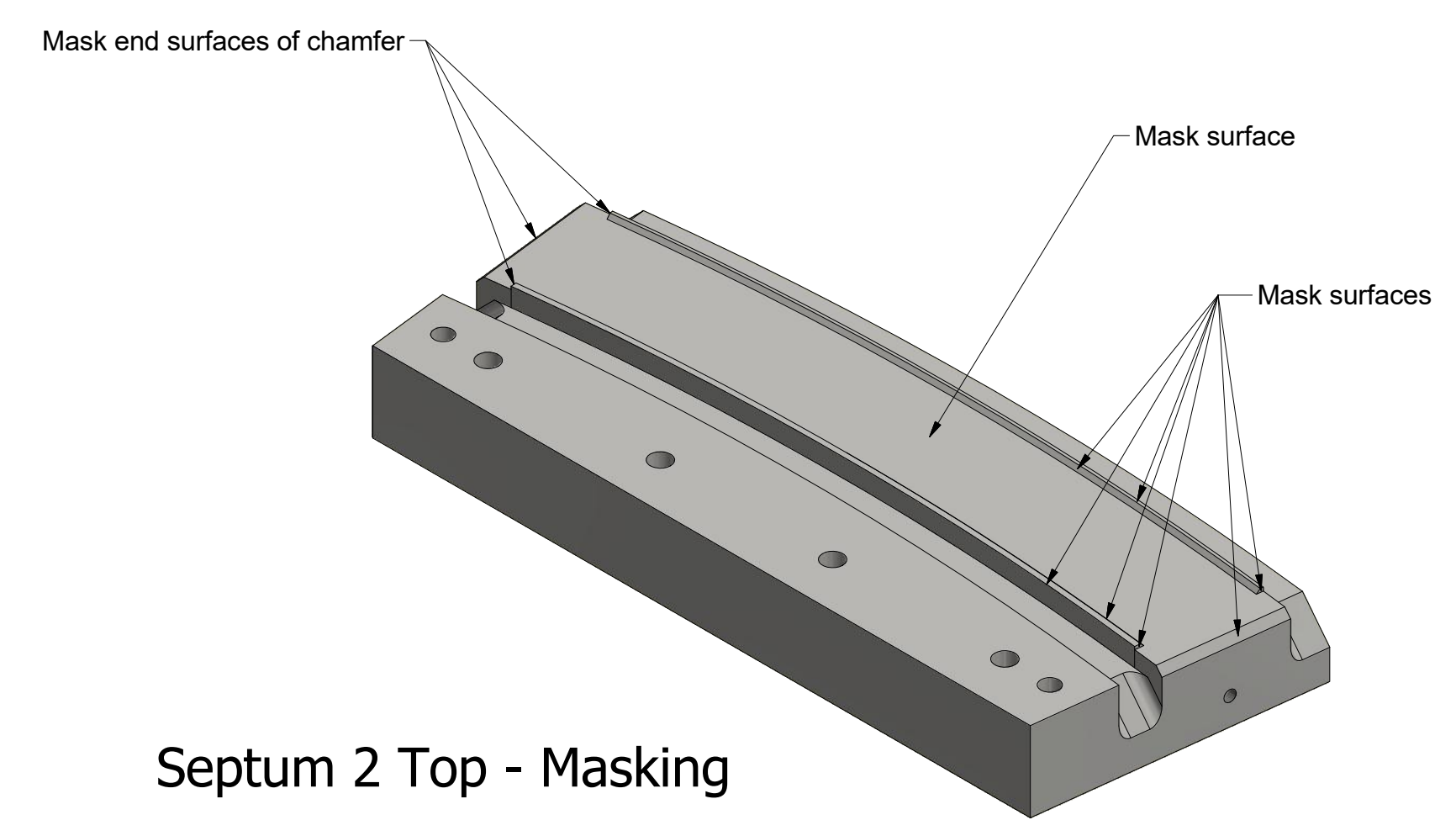
THESE DRAWINGS, WHICH CONTAIN PROPRIETARY INFORMATION, ARE THE PROPERTY OF CORNELL UNIVERSITY. USE OF THESE DRAWINGS BEYOND THE INTENDED PURPOSE IN SUPPORT OF OUR RESEARCH AS DESCRIBED AND FUNDED BY OUR SPONSORING AGENCIES MUST BE NEGOTIATED AND APPROVED IN ADVANCE BY CORNELL UNIVERSITY.

ITEM	DWG. NO.	DESCRIPTION	G1	G2	G3	REMARKS	REV.
			QUANTITY				
<b>D</b>	PRINT DISTR.	PLOT DATE: 6/20/2019 CAD FILE NAME: 7207-014.idw					
<b>CR-1</b>	7207-014 SH. NO. 15 OF 16	UNLESS OTHERWISE SPECIFIED: DIMENSIONS ARE IN MILLIMETERS. TOLERANCES ON: X ± .5 XX ± .2 XXX ± .1 ANGLES ± 0.5° ALL SURFACES $\sqrt{R}$	 Cornell Laboratory for Accelerator-based ScienceS and Education (CLASSE)			<b>Septum 2 Package Space</b>	
<b>REV. A</b>	CHECKED BY: D.Burke APPROVED BY: D.Burke	DRAWN BY: J.Turco DRAWN FOR: D.Burke	DATE: 12/10/2018	SCALE: <b>D</b>	7207-014 SH. NO. 15 OF 16	REV. <b>A</b>	

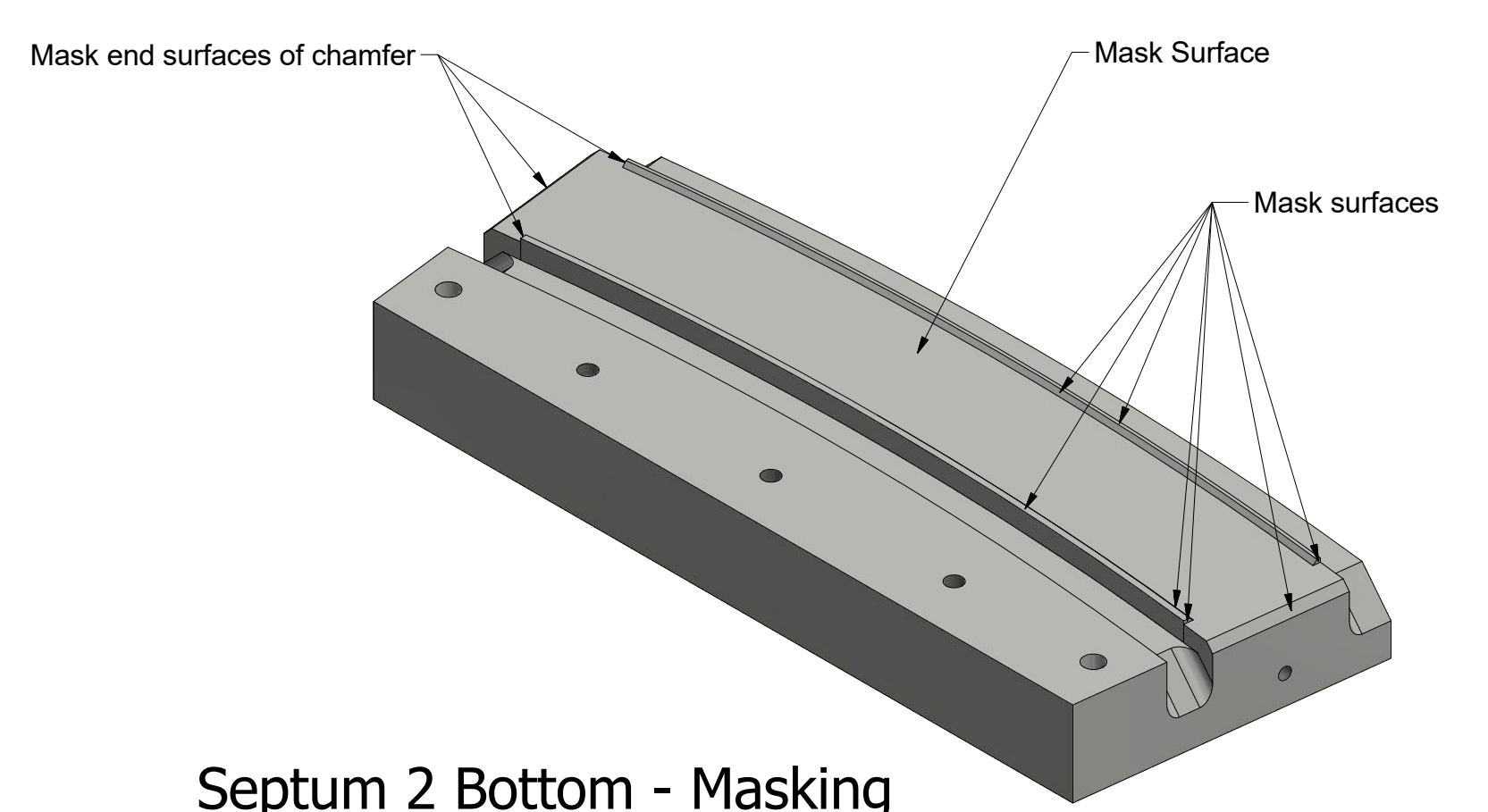
REVISIONS				
SYM	ZONE	DESCRIPTION	DATE	APP
		Initial Release	6/20/19	JLT



NOTE: CAN STAY ASSEMBLED IN ONE PIECE. IF TAKEN APART MATING SURFACES OF ALL 3 PIECES NEED TO BE MASKED, ALONG WITH 4 C'BORE HOLES ON TOP PIECE.



Septum 2 Top - Masking



Septum 2 Bottom - Masking

THESE DRAWINGS, WHICH CONTAIN PROPRIETARY INFORMATION, ARE THE PROPERTY OF CORNELL UNIVERSITY. USE OF THESE DRAWINGS BEYOND THE INTENDED PURPOSE IN SUPPORT OF OUR RESEARCH AS DESCRIBED AND FUNDED BY OUR SPONSORING AGENCIES MUST BE NEGOTIATED AND APPROVED IN ADVANCE BY CORNELL UNIVERSITY.

ITEM	DWG. NO.	DESCRIPTION	G1	G2	G3	REMARKS	REV.
			QUANTITY				
<b>D</b>	PRINT DISTR.	PLOT DATE: 6/20/2019 CAD FILE NAME: 7207-014.idw					
	CR-1	UNLESS OTHERWISE SPECIFIED: DIMENSIONS ARE IN MILLIMETERS. TOLERANCES ON: X ± .5 XX ± .2 XXX ± .1 ANGLES ± 0.5° ALL SURFACES $\sqrt{R}$	 Cornell Laboratory for Accelerator-based ScienceS and Education (CLASSE)				
	7207-014 SH. NO. 16 OF 16						
	REV.	CHECKED BY: D.Burke APPROVED BY: D.Burke	DRAWN BY J.Turco	DRAWN FOR D.Burke	DATE 12/10/2018	SCALE <b>D</b>	7207-014 SH. NO. 16 OF 16