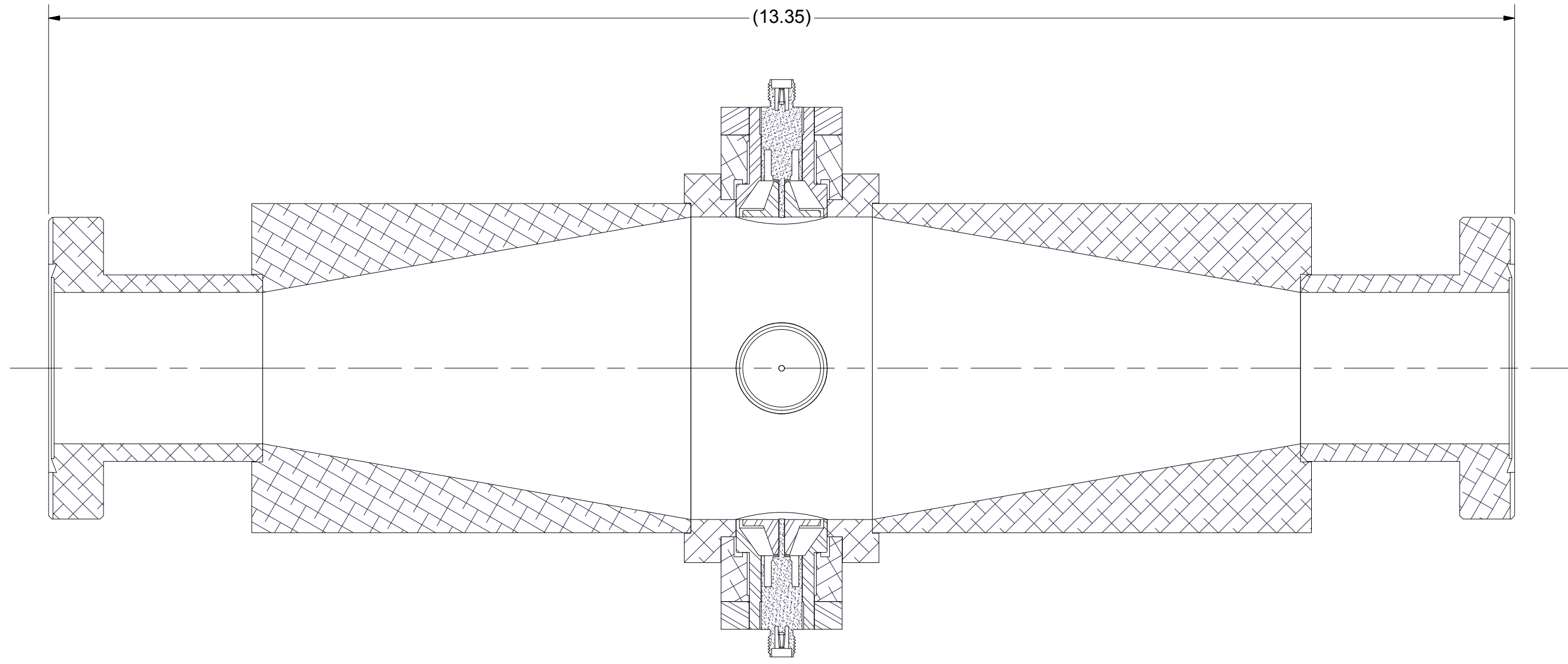
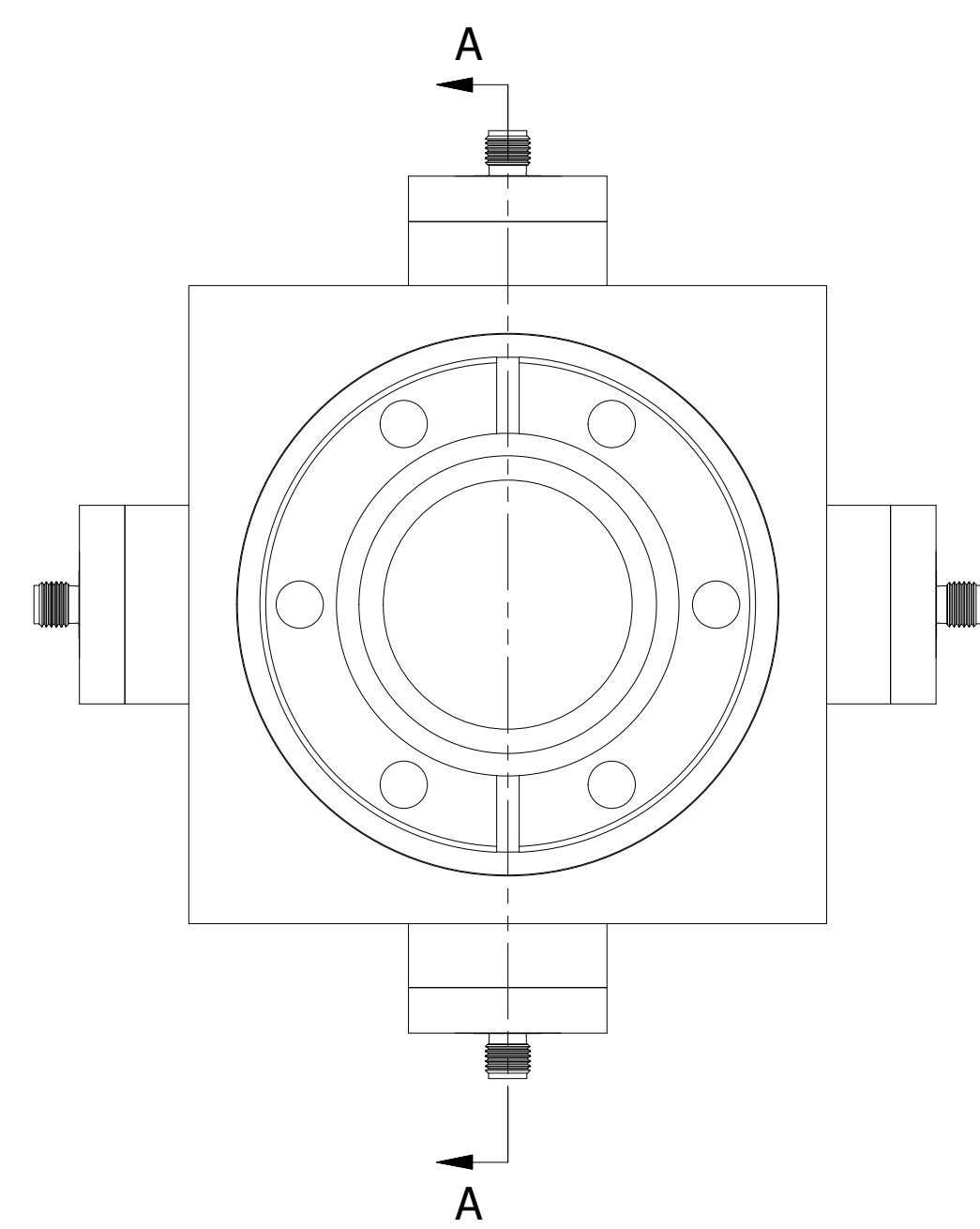
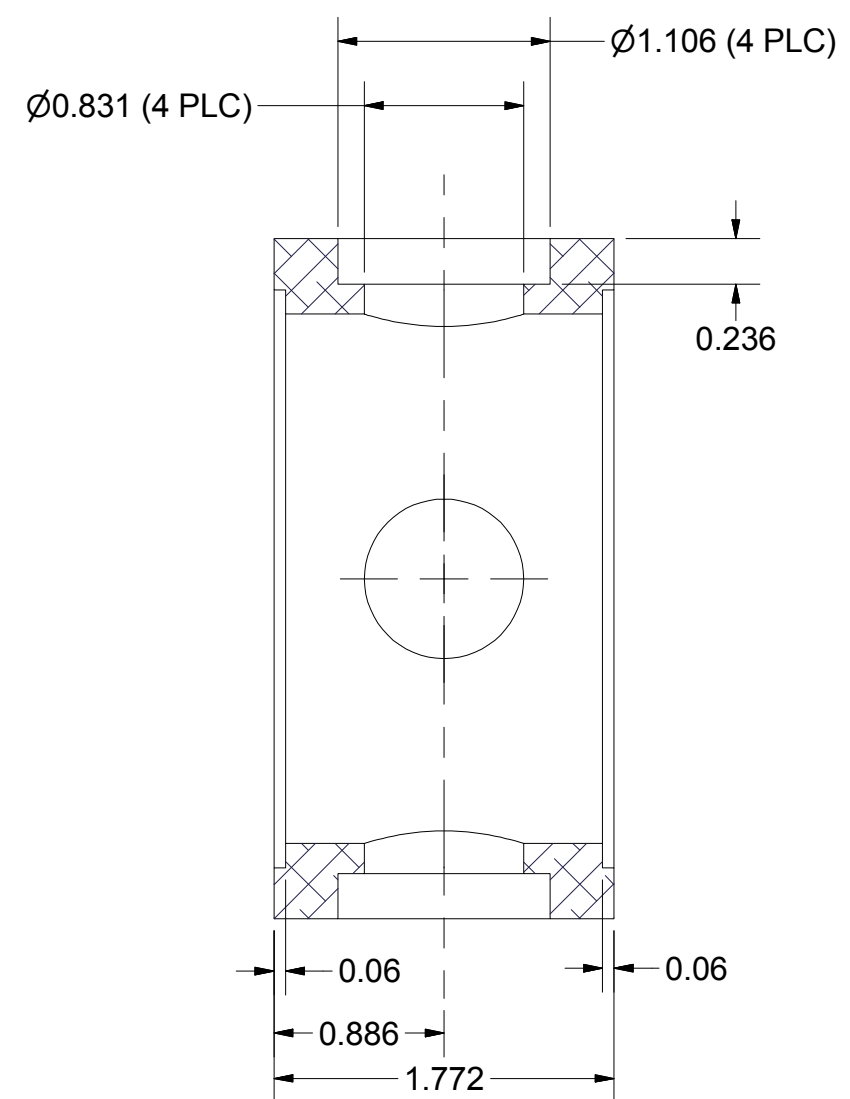
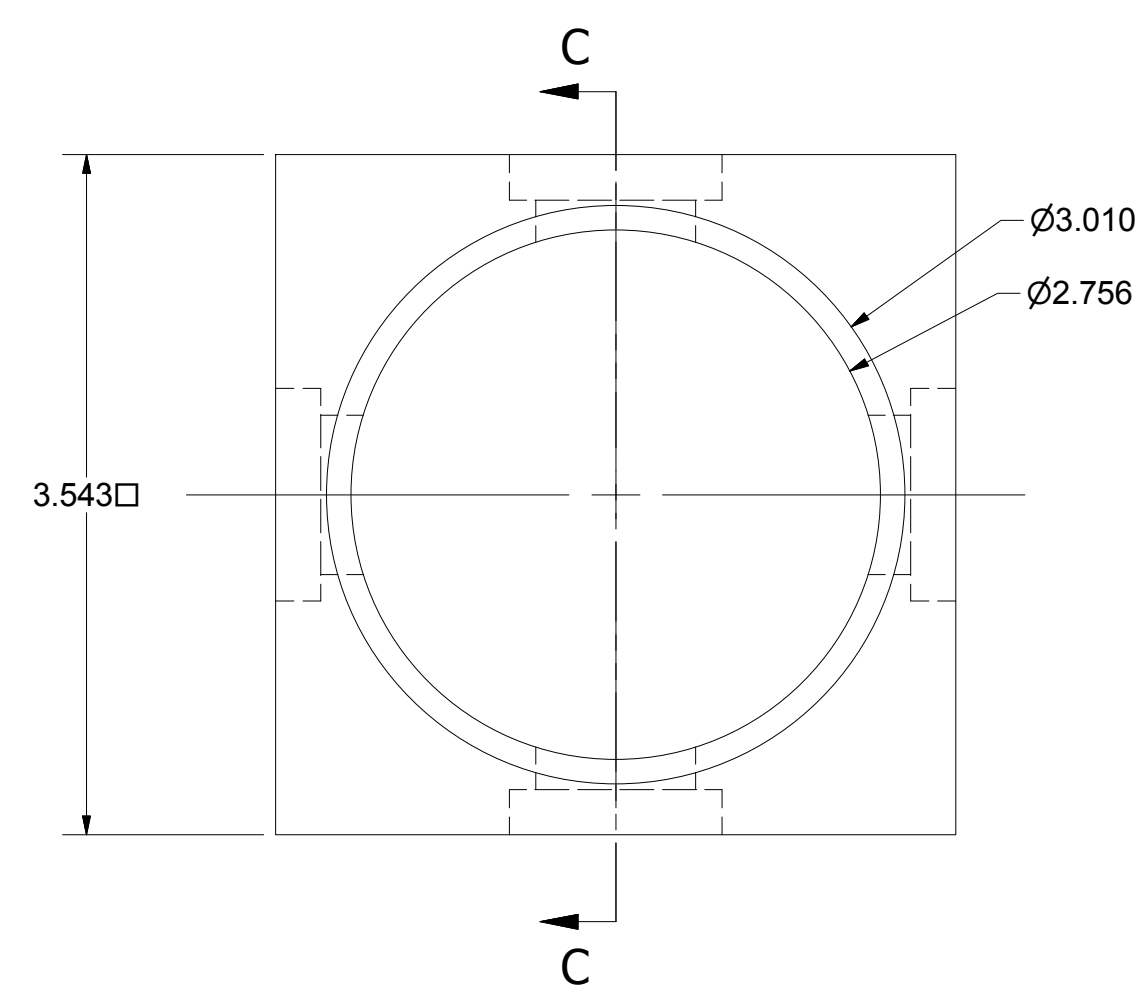


REVISIONS			
SYM.	ZONE	DESCRIPTION	DATE APP.

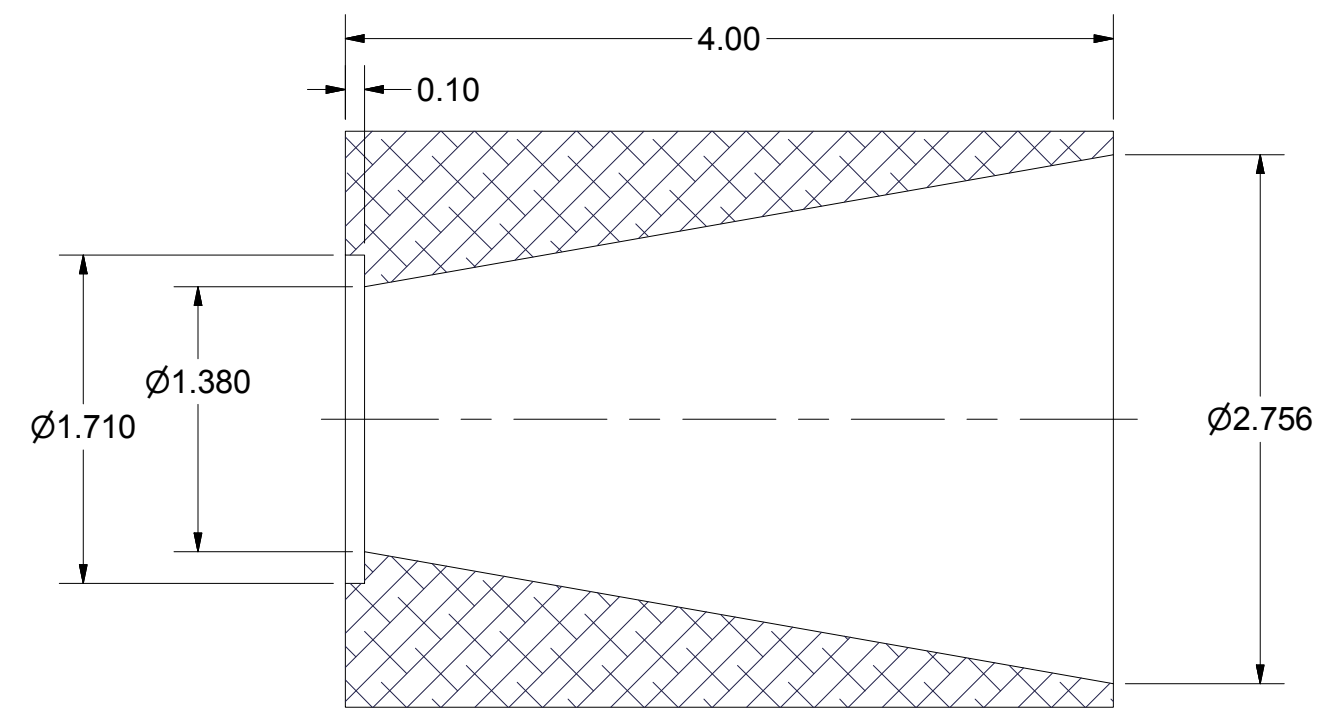
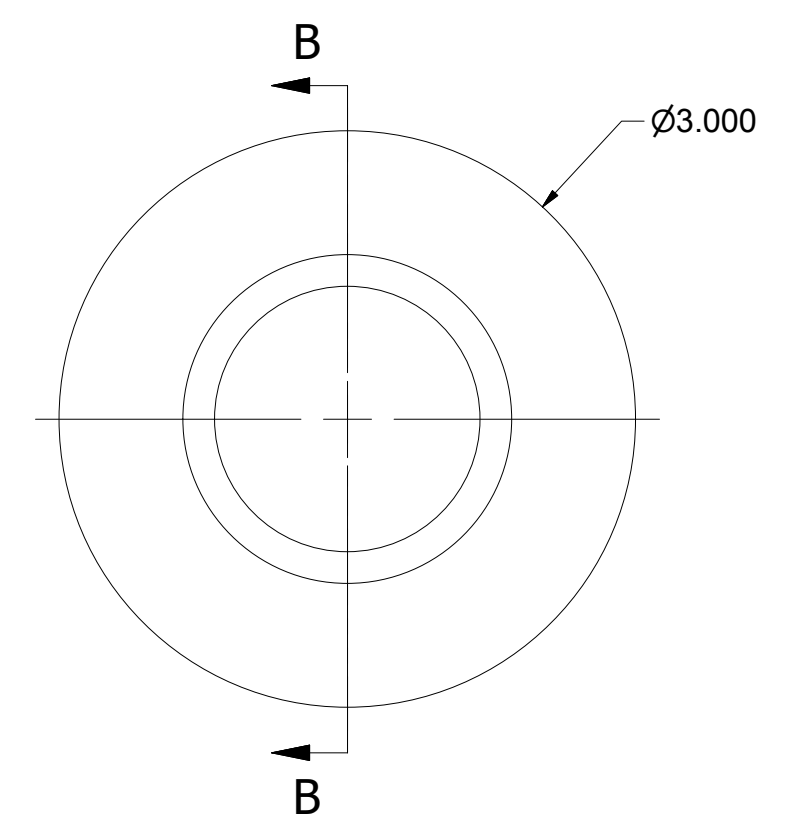


SECTION A-A
SCALE 1 : 1

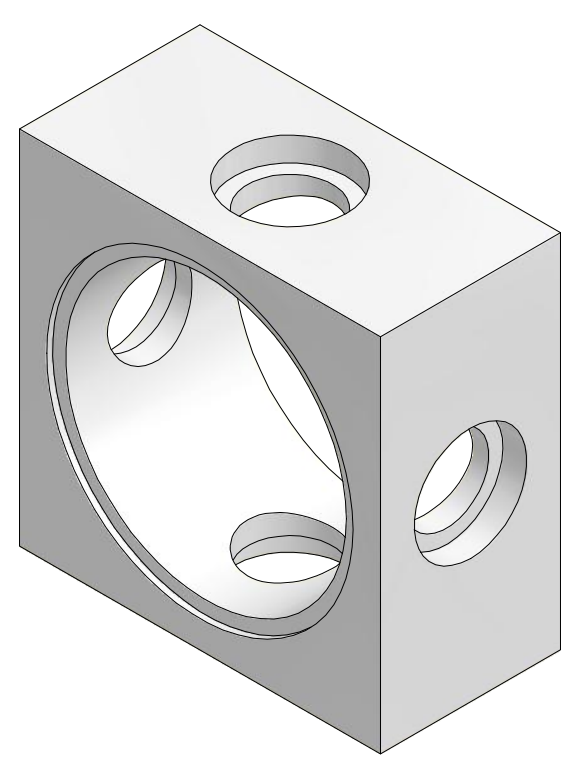
FFAG BPM for Test in DI Beamline
 FILE NAME: 7206-611 Test
 SHEET NO.: 1
 DFT. SCALE: 1 : 1
 MATERIAL: As Noted
 QTY: 1
 NOTES:



SECTION C-C
SCALE 1 : 1



SECTION B-B
SCALE 1 : 1



1 Square Housing, Simplified
 FILE NAME: 7206-611 Test
 SHEET NO.: 1
 DFT. SCALE: 1 : 1
 MATERIAL: 6061-T6 Alum
 QTY: 1
 NOTES:

4 Aluminum Taper
 FILE NAME: 7206-611 Test
 SHEET NO.: 1
 DFT. SCALE: 1 : 1
 MATERIAL: 6061-T6 Alum.
 QTY: 2
 NOTES:

5	7206-615 Pt.A	7206-615 no fish mouth	2			
4		Alum Taper for DI Test	2			
3	Purchased	FA35160	4			Solid Sealing Technology
2	7206-611 SH03	Button Transition	4			
1		Square Housing Block for DI Test	1			

ITEM	DWG. NO.	DESCRIPTION	G1	G2	G3	REMARKS	REV.
			QUANTITY				
PRINT DATE: PLOT DATE: CAD FILE NAME: 7206-611 Test in DI.idw							
D 7206-611 Test SH. NO. 1 OF 1	CR-1	UNLESS OTHERWISE SPECIFIED: DIMENSIONS ARE IN INCHES; TOLERANCES ON: 0 ± .02 .00 ± .010 .000 ± .005 FRACTIONS ± 1/32 ANGLES ± 0.5° ALL SURFACES ϕ		Cornell University Laboratory for Elementary-Particle Physics Floyd R. Newman Laboratory Robert R. Wilson Laboratory Ithaca, NY 14853			
	FFAG Beam Position Test Assembly for Test in DI Beamline		CHECKED BY: APPROVED BY:	DRAWN BY y167	DRAWN FOR 2	DATE 2/27/2017	SCALE D