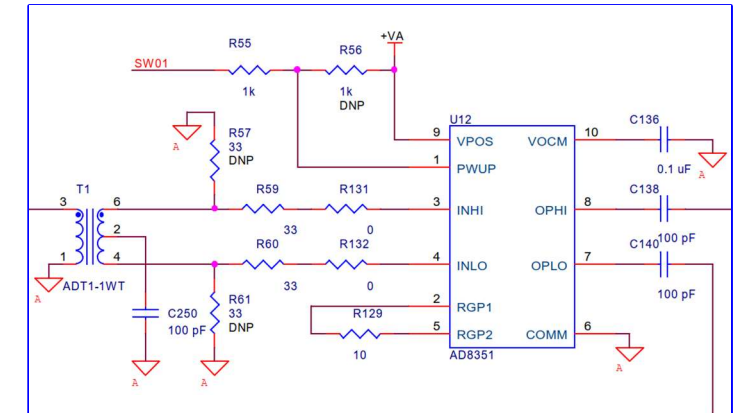
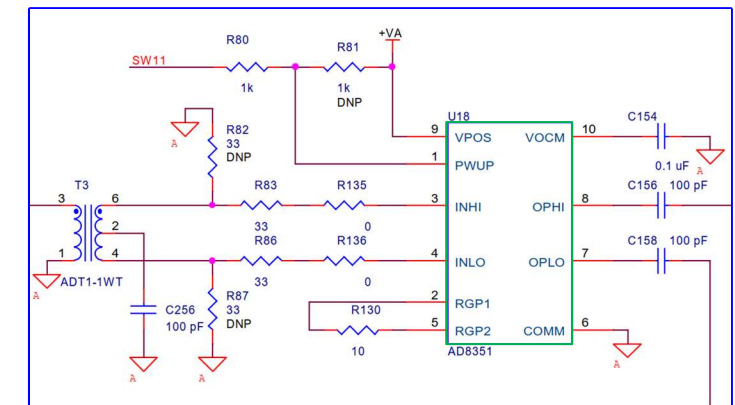


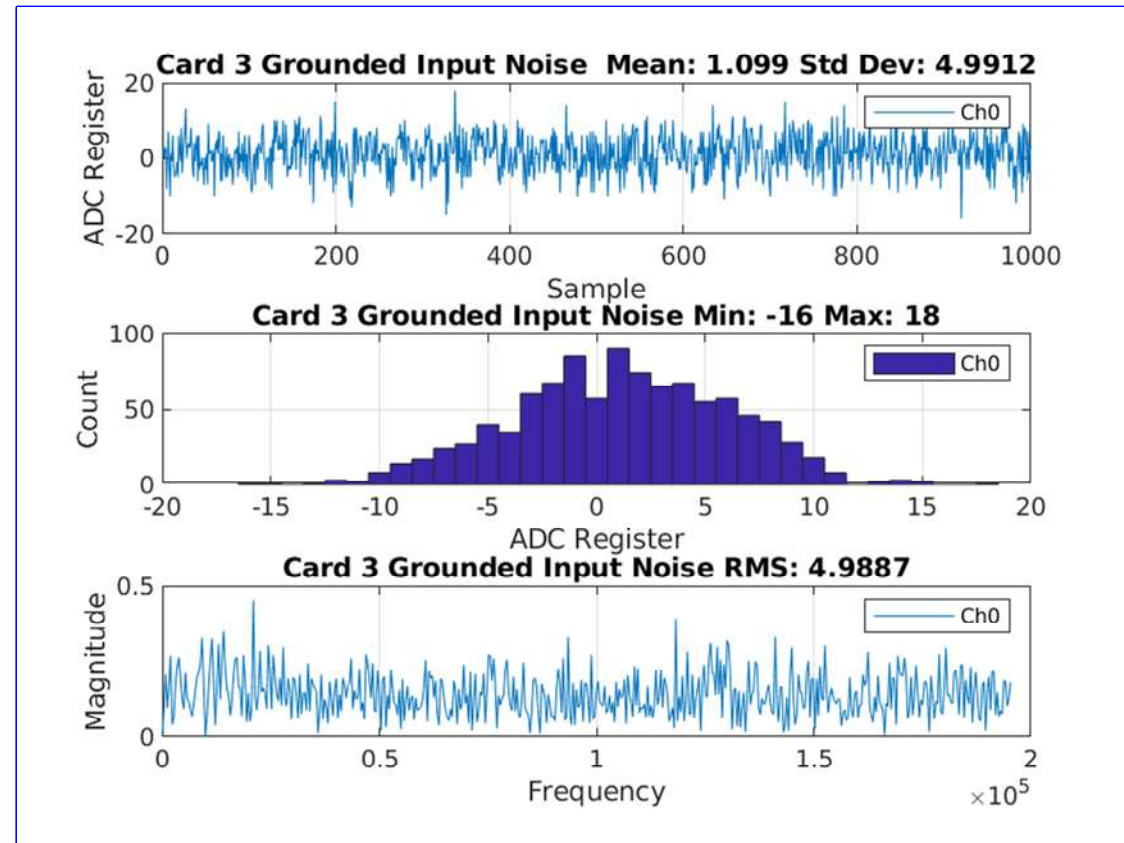
# 12W (ctacf001) Card 3 – Top Out



NEW U18 BACK IN

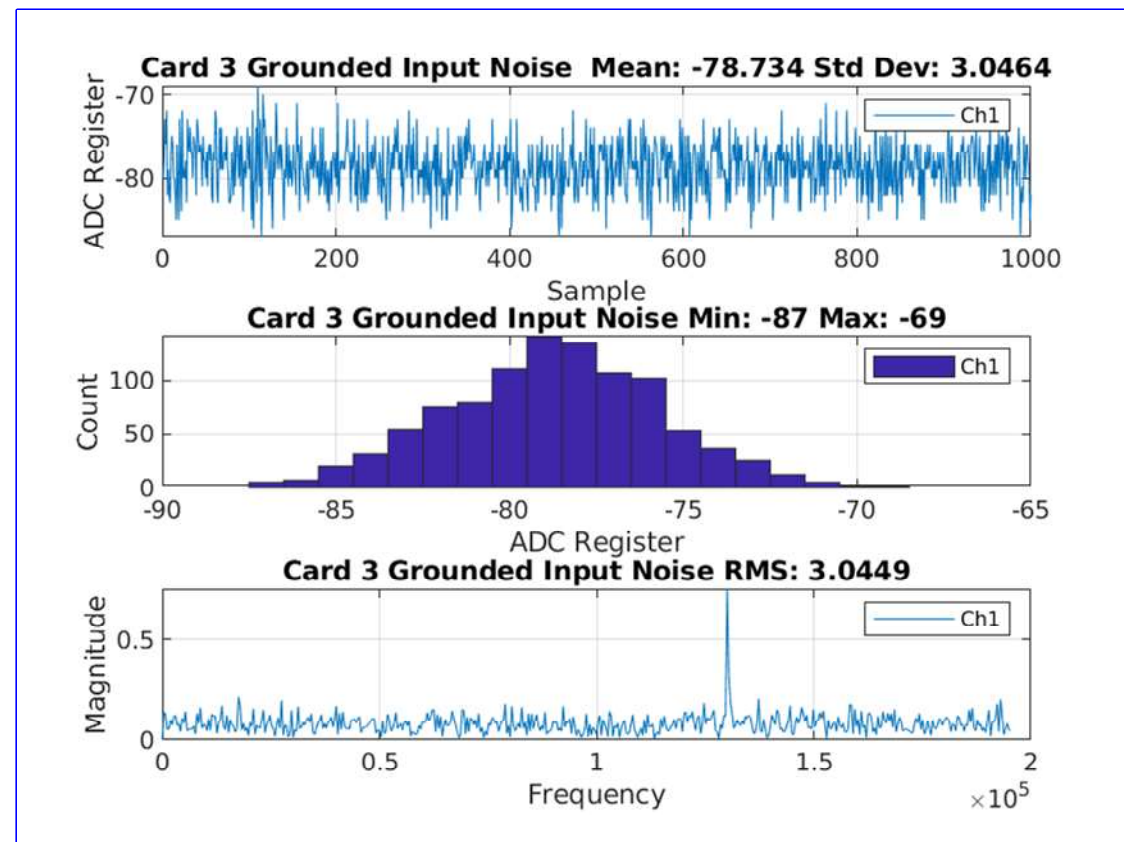
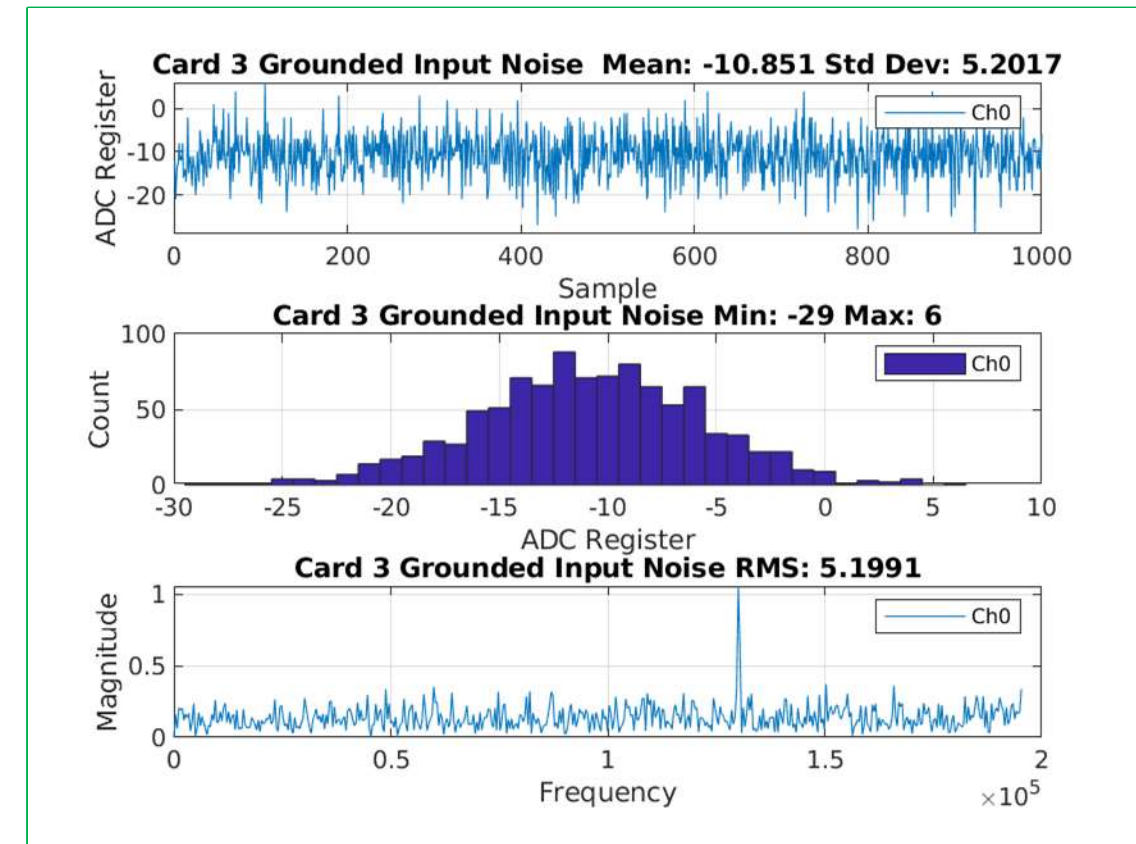


Before

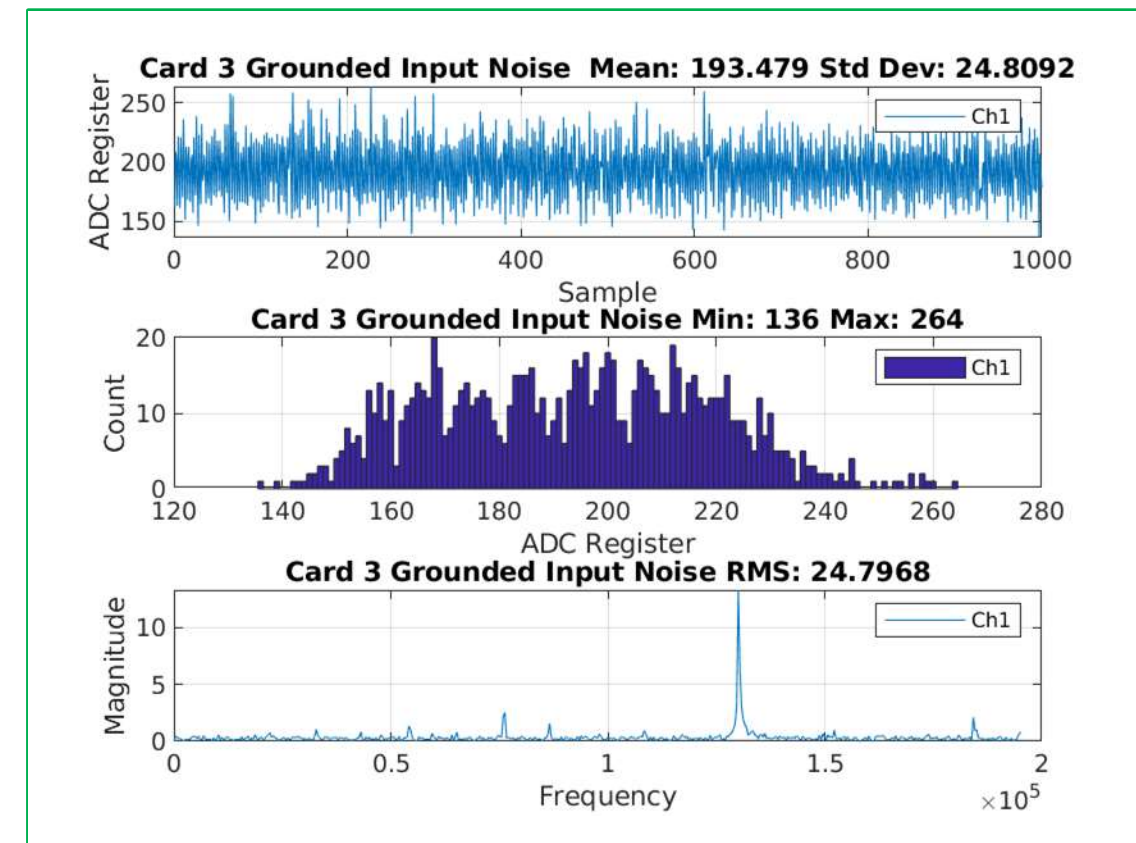


U12

After



U18



REMOVE U18 (Channel 1 Fixed Gain) & Jumper Out U18; U12 Still In