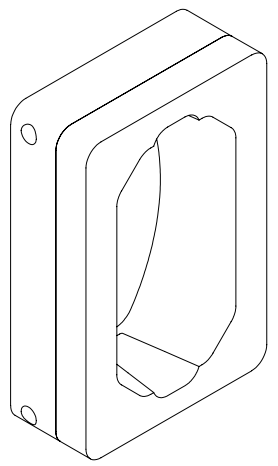
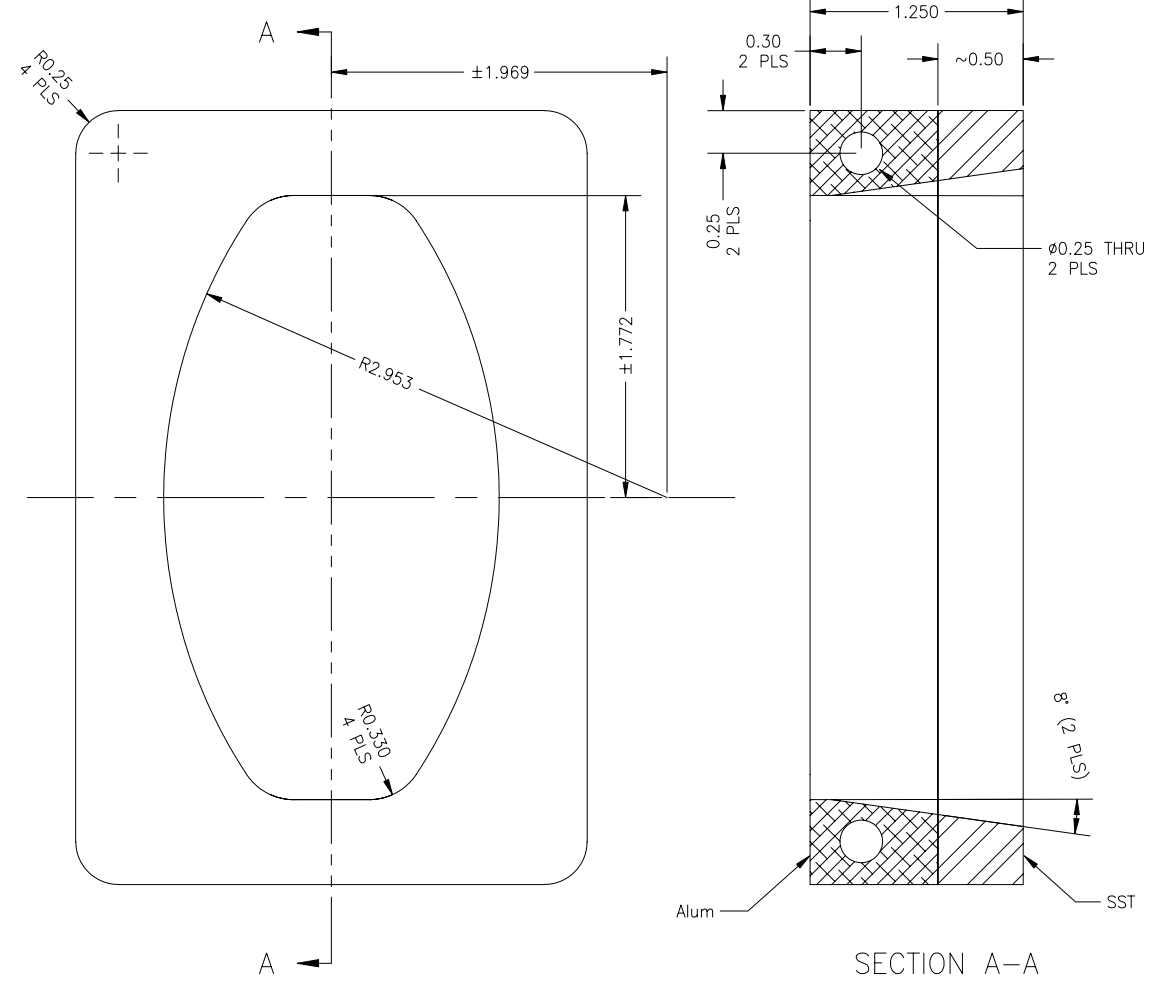
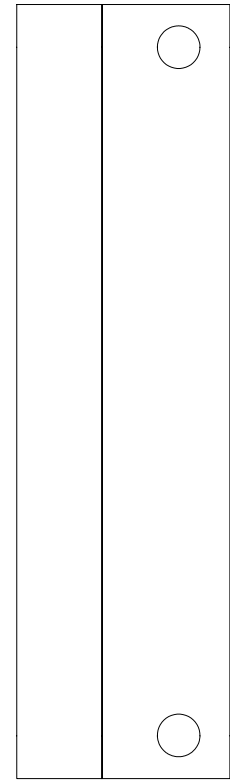
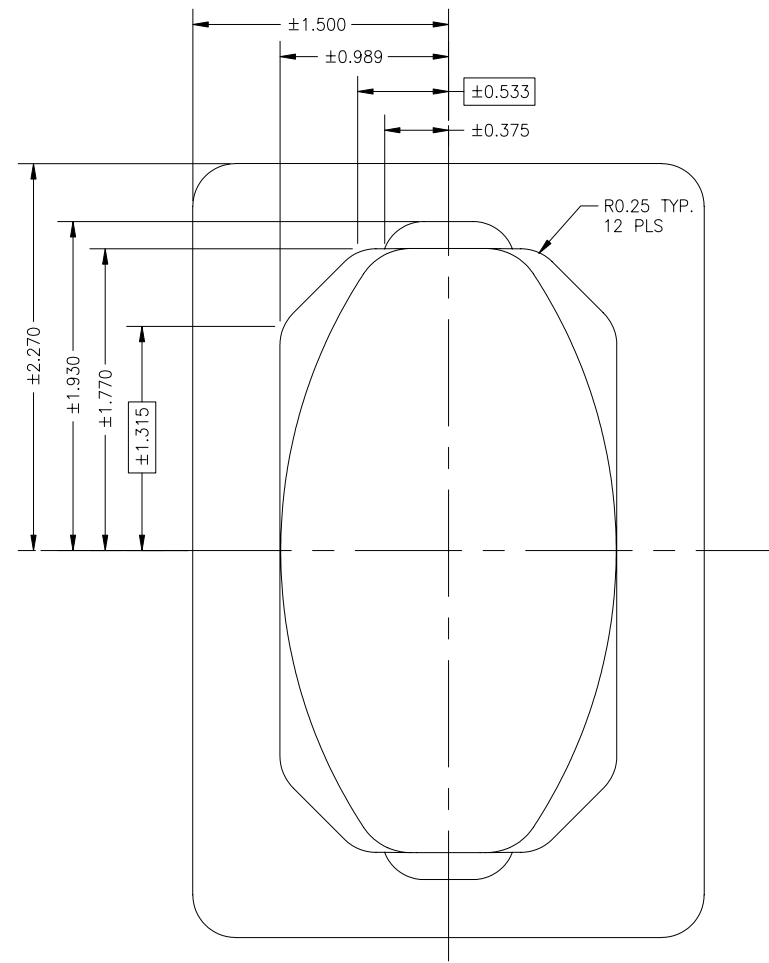


REVISIONS				
SYM.	ZONE	DESCRIPTION	DATE	APP.



① Aluminum-SST Transition  
 (D-6070-074-01)  
 Mat'l : Explosion-bond Al-SST  
 Scale : 2 : 1  
 Qn'ty : 1

**NOTE:** THE BOXED DIMENSIONS ARE FROM THE CENTERLINE TO THE INTERSECTION POINTS OF THE STRAIGHT EDGES BEFORE THOSE CORNERS ARE FILLETED.

FOR MACHINING LUBRICANT USE ONLY  
 ALKALINE DETERGENT LUBRICANT CIMSTAR 40  
 OR EQUIVALENT APPROVED BY CORNELL LNS.

ITEM	DWG. NO.	DESCRIPTION	G1	G2	G3	REMARKS	REV.	
			QUANTITY					
PRINT DISTR.	PLOT DATE DECEMBER 23, 2002							
	CAD FILE NAME D-6070-074-01-TRANSITION							
D SH. NO. 1 CONT. ON F.	CR-1	UNLESS OTHERWISE SPECIFIED					Cornell University Floyd R. Newman Laboratory of Nuclear Studies - Ithaca, NY 14853	REV.
		DIMENSIONS ARE IN INCHES						
		TOLERANCES ON: .00 ±.010 .000 ±.005 FRACTIONS ±1/64 ANGLES ±0.5° ALL SURFACES $\phi$						
		CHECKED BY Yulin Li APPROVED BY Yulin Li						
		DRAWN BY	DRAWN FOR	DATE	SCALE	D 6070-074	REV.	
		Yulin Li	Yulin Li	12/12/02	2 : 1	SH. NO. 1 CONT. ON FIN.		